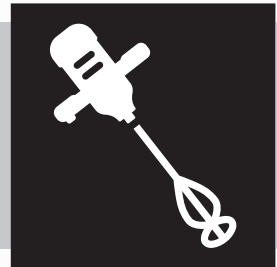




**VONROC®**

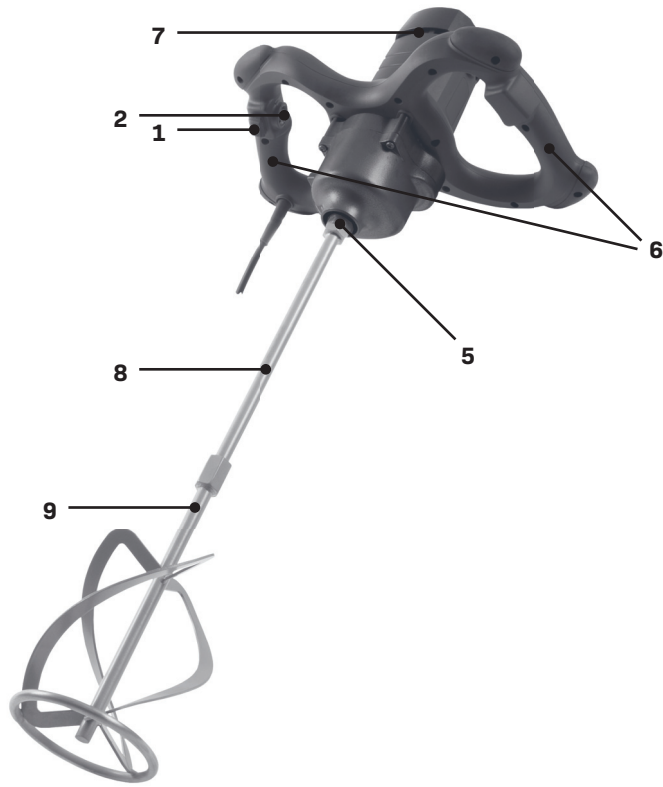
BUILD YOUR FUTURE

## PAINT/CEMENT MIXER PM502AC

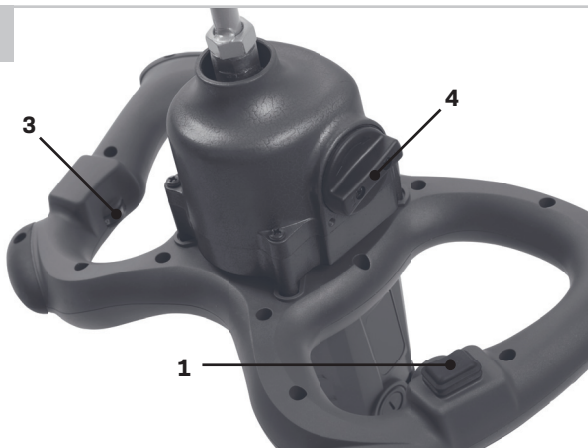


<b>EN</b>	Original Instructions	03
<b>DE</b>	Übersetzung Der Originalbetriebsanleitung	08
<b>NL</b>	Vertaling van de oorspronkelijke gebruiksaanwijzing	14
<b>FR</b>	Traduction de la notice originale	20
<b>ES</b>	Traducción del manual original	26
<b>IT</b>	Traduzione delle istruzioni originali	31
<b>SV</b>	Bruksanvisning i original	37
<b>DA</b>	Original vejledning	42
<b>PL</b>	Tłumaczenie instrukcji oryginalnej	47
<b>RO</b>	Traducere a instrucțiunilor originale	53
<b>PT</b>	Instruções originais	58
<b>HU</b>	Az eredeti használati útmutató fordítása	64
<b>CS</b>	Překlad originálního návodu k obsluze	70

**A**



**B**



## 1. SAFETY INSTRUCTIONS

Read the enclosed safety warnings, the additional safety warnings and the instructions. Failure to follow the safety warnings and the instructions may result in electric shock, fire and/or serious injury. Save the safety warnings and the instructions for future reference.

The following symbols are used in the user manual or on the product:



*Read the user manual.*



*Denotes risk of personal injury, loss of life or damage to the tool in case of non-observance of the instructions in this manual.*



*Risk of electric shock.*



*Variable electronic speed.*



*Wear safety goggles.  
Wear hearing protection.*



*Wear a dust mask.*



*Class II machine - Double insulation -  
You don't need any earthed plug.*



*The product is in accordance with the applicable safety standards in the European directives.*

### GENERAL POWER TOOL SAFETY WARNINGS



**WARNING! Read all safety warnings and all instructions.** Failure to follow the warnings and instructions may result in electric shock, fire and/or serious injury.

**Save all warnings and instructions for future reference.** The term "power tool" in the warnings refers to your mains-operated (corded) power tool or battery-operated (cordless) power tool.

#### 1) Work area safety

- Keep the work area clean and well lit.** Cluttered or dark areas invite accidents.
- Do not operate power tools in explosive atmospheres, such as in the presence of flammable**

**liquids, gases or dust.** Power tools create sparks which may ignite the dust or fumes.

- Keep children and bystanders away while operating a power tool.** Distractions can cause you to lose control.
- #### 2) Electrical safety
- Power tool plugs must match the outlet. Never modify the plug in any way. Do not use any adapter plugs with earthed (grounded) power tools.** Unmodified plugs and matching outlets will reduce risk of electric shock.
  - Avoid body contact with earthed or grounded surfaces, such as pipes, radiators, ranges and refrigerators.** There is an increased risk of electric shock if your body is earthed or grounded.
  - Do not expose power tools to rain or wet conditions.** Water entering a power tool will increase the risk of electric shock.
  - Do not abuse the cord. Never use the cord for carrying, pulling or unplugging the power tool. Keep cord away from heat, oil, sharp edges or moving parts.** Damaged or entangled cords increase the risk of electric shock.
  - When operating a power tool outdoors, use an extension cord suitable for outdoor use.** Use of a cord suitable for outdoor use reduces the risk of electric shock.
  - If operating a power tool in a damp location is unavoidable, use a residual current device (RCD) protected supply.** Use of an RCD reduces the risk of electric shock.

#### 3) Personal safety

- Stay alert, watch what you are doing and use common sense when operating a power tool. Do not use a power tool while you are tired or under the influence of drugs, alcohol or medication.** A moment of inattention while operating power tools may result in serious personal injury.
- Use personal protective equipment. Always wear eye protection.** Protective equipment such as dust mask, non-skid safety shoes, hard hat, or hearing protection used for appropriate conditions will reduce personal injuries.
- Prevent unintentional starting. Ensure the switch is in the off-position before connecting to power source and/or battery pack, picking up or carrying the tool.** Carrying power tools with your finger on the switch or energising power tools that have the switch on invites accidents.

- d) **Remove any adjusting key or wrench before turning the power tool on.** A wrench or a key left attached to a rotating part of the power tool may result in personal injury.
  - e) **Do not overreach. Keep proper footing and balance at all times.** This enables better control of the power tool in unexpected situations.
  - f) **Dress properly. Do not wear loose clothing or jewellery. Keep your hair, clothing and gloves away from moving parts.** Loose clothes, jewellery or long hair can be caught in moving parts.
  - g) **If devices are provided for the connection of dust extraction and collection facilities, ensure these are connected and properly used.** Use of dust collection can reduce dust related hazards.
  - h) **Do not let familiarity gained from frequent use of tools allow you to become complacent and ignore tool safety principles.** A careless action can cause severe injury within a fraction of a second.
- 4) Power tool use and care**
- a) **Do not force the power tool. Use the correct power tool for your application.** The correct power tool will do the job better and safer at the rate for which it was designed.
  - b) **Do not use the power tool if the switch does not turn it on and off.** Any power tool that cannot be controlled with the switch is dangerous and must be repaired.
  - c) **Disconnect the plug from the power source and/or the battery pack from the power tool before making any adjustments, changing accessories, or storing power tools.** Such preventive safety measures reduce the risk of starting the power tool accidentally.
  - d) **Store idle power tools out of the reach of children and do not allow persons unfamiliar with the power tool or these instructions to operate the power tool.** Power tools are dangerous in the hands of untrained users.
  - e) **Maintain power tools. Check for misalignment or binding of moving parts, breakage of parts and any other condition that may affect the power tool's operation. If damaged, have the power tool repaired before use.** Many accidents are caused by poorly maintained power tools.
  - f) **Keep cutting tools sharp and clean.** Properly maintained cutting tools with sharp cutting edges are less likely to bind and are easier to control.
  - g) **Use the power tool, accessories and tool bits etc. in accordance with these instructions, taking into account the working conditions and the work to be performed.** Use of the power tool for operations different from those intended could result in a hazardous situation.
  - h) **Keep handles and grasping surfaces dry, clean and free from oil and grease.** Slippery handles and grasping surfaces do not allow for safe handling and control of the tool in unexpected situations.
- 5) Battery tool use and care**
- a) **Recharge only with the charger specified by the manufacturer.** A charger that is suitable for one type of battery pack may create a risk of fire when used with another battery pack.
  - b) **Use power tools only with specifically designated battery packs.** Use of any other battery packs may create a risk of injury and fire.
  - c) **When battery pack is not in use, keep it away from other metal objects, like paper clips, coins, keys, nails, screws or other small metal objects that can make a connection from one terminal to another.** Shorting the battery terminals together may cause burns or a fire.
  - d) **Under abusive conditions, liquid may be ejected from the battery; avoid contact. If contact accidentally occurs, flush with water. If liquid contacts eyes, additionally seek medical help.** Liquid ejected from the battery may cause irritation or burns.
  - e) **Do not use a battery pack or tool that is damaged or modified.** Damaged or modified batteries may exhibit unpredictable behaviour resulting in fire, explosion or risk of injury.
  - f) **Do not expose a battery pack or tool to fire or excessive temperature.** Exposure to fire or temperature above 130 °C may cause explosion. NOTE The temperature „130 °C“ can be replaced by the temperature „265 °F“.
  - g) **Follow all charging instructions and do not charge the battery pack or tool outside the temperature range specified in the instructions.** Charging improperly or at temperatures outside the specified range may damage the battery and increase the risk of fire.
- 6) Service**
- a) **Have your power tool serviced by a qualified repair person using only identical replacement parts.** This will ensure that the safety of the power tool is maintained.

- b) **Never service damaged battery packs.** Service of battery packs should only be performed by the manufacturer or authorized service providers.

**ADDITIONAL SAFETY INSTRUCTIONS**

- **Firmly tighten the mixing paddle, and remove the spanner before starting the machine.**
- **Do not use the power tool for explosive materials (e. g., easily inflammable solvents).** Power tools produce sparks which could ignite developing vapours.
- **In case the power tool should fall into the material to be stirred, pull the plug immediately and have the power tool checked by an after-sales service agent.** Material that has penetrated the power tool can cause damage and lead to an electric shock.
- **Hold the machine firmly with both hands by the insulated gripping surfaces while working and keep proper footing and balance at all times.** The machine is more securely guided with both hands. Loss of control can cause personal injury.
- **Hold power tool by insulated gripping surfaces, when performing an operation where the accessory may contact hidden wiring or its own cord.** The accessory contacting a “live” wire may make exposed metal parts of the power tool “live” and could give the operator an electric shock.
- **Switch off the power tool immediately when the tool insert jams.** Be prepared for high reaction torque that can cause kickback. The tool insert jams when:
  - the power tool is subject to overload or
  - it becomes wedged in the workpiece.
- **Do not mix food.** Power tools and their accessories are not designed for processing food.
- **Keep the cord away from the working area.** The cord may be entangled by the stirrer whisk.
- **The mixing container must be suitable for mixing and must stand securely.** A container that is not properly secured may move uncontrolled.
- **Ensure that no liquid splashes against the housing of the power tool.** Liquid that has penetrated the power tool can cause damage and lead to electric shock.
- **Follow the instructions and warnings in the Material Safety Data Sheets (MSDS) of the material to be mixed.** Material to be mixed may be harmful.
- **In the event of a power interruption, release the locking switch by pressing the on/off switch.** This will prevent the power tool from restarting unintentionally (risk of injury).

- **Do not use the power tool in a stand.**

**Electrical safety**



*Always check that the voltage of the power supply corresponds to the voltage on the rating plate label.*

- Do not use the machine if the mains cable or the mains plug is damaged.
- Only use extension cables that are suitable for the power rating of the machine with a minimum thickness of 1.5 mm<sup>2</sup>. If you use an extension cable reel, always fully unroll the cable.

**2. MACHINE INFORMATION**

**Intended use**

The machine is intended for mixing pulverised building materials such as mortar, plaster, adhesives, as well as solvent free paint, varnish and similar substances. Improper use may damage the tool.

**TECHNICAL SPECIFICATIONS**

Model No.	PM502AC
Voltage	230-240V ~
Frequency	50Hz
Power input	1800W
No-load speed	Gear 1 180-400/min Gear 2 300-700/min
Tool mount	M14
Whisk	Ø 140mm
Weight	4.45 kg
Sound pressure level L <sub>PA</sub>	87.6+3 dB(A)
Acoustic power level L <sub>WA</sub>	98.6+3 dB(A)
Vibration	5.187+1.5 m/s <sup>2</sup>

**Vibration level**

The vibration emission level stated in this instruction manual has been measured in accordance with a standardized test given in EN60745; it may be used to compare one tool with another and as a preliminary assessment of exposure to vibration when using the tool for the applications mentioned.

- Using the tool for different applications, or with different or poorly maintained accessories, may significantly increase the exposure level.

- The times when the tool is switched off or when it is running but not actually doing the job, may significantly reduce the exposure level.

Protect yourself against the effects of vibration by maintaining the tool and its accessories, keeping your hands warm, and organizing your work patterns.

## DESCRIPTION

The numbers in the text refer to the diagrams on page 2.

1. On/off switch
2. Lock-off button
3. Speed adjustment wheel
4. Gear selector switch
5. Tool holder
6. Handle
7. Ventilation apertures
8. Whisk shaft
9. Whisk paddle

## 3. ASSEMBLY

### Assembling the two-part whisk (Fig. A)

1. Screw the Whisk shaft (8) onto the Whisk paddle (9)
2. Tighten both parts securely

### Replacing the whisk (Fig. A)



*Before assembly, always switch off the machine and remove the mains plug from the mains.*

Use only whisks conform the specified diameter. Always use a whisk that is suitable for the material to be mixed/stirred. Using an unsuitable mixer bar can unnecessarily overload both the machine and yourself.

### Mounting the whisk

1. Screw the assembled whisk into the tool holder (5) in clockwise direction as far as possible.
2. Tighten the whisk into the tool holder using the supplied spanners. To do so, hold the tool holder (5) using one of the supplied spanners, and use the second spanner to tighten the assembled whisk.

### Removing the whisk

1. Loosen the assembled whisk using the supplied spanners. To do so, hold the tool holder (5)

- using one of the supplied spanners, and use the second spanner to loosen the assembled whisk.
2. Unscrew the whisk from the tool holder (5) in anti-clockwise direction.

## 4. OPERATION

### Switching on and off (Fig. A)

The on/off switch (1) is used for activating the machine and adjusting speed.

- To start the machine, press and hold the lock off button (2) and press the on/off switch (1).
- To stop the machine, release the on/off switch (1).

### Gear selection (Fig. B)

Two mechanical speed ranges can be selected with the gear selector switch (4):

Gear 1	180-400/min
Gear 2	300-700/min

The necessary gear depends on the type of the material mixed and it is recommended to verify it by a practical test.

### Speed adjustment (Fig. B)

The required speed can be adjusted by using the Speed adjustment wheel (3). Also during operation the rotational speed can be adjusted.

- To increase the speed, turn the Speed adjustment knob (3) clockwise.
- To decrease the speed, turn the Speed adjustment knob (3) anti-clockwise.

The required speeds depends on the material and can be determined by practical testing.

### Optimum use

- For materials with low viscosity, e.g. emulsion paint, varnishes, adhesive, grouting compound and cement slurry, a stirrer whisk with a so-called left-hand spiral is recommended for optimum use. With a left-hand spiral, the material is moved from the top downwards and the stirrer whisk is pushed upwards. Materials with low viscosity are mixed in a way which minimises splattering, so a low speed is recommended (gear 1).
- For materials with high viscosity, e.g. plaster, concrete, cement, screed, filler and epoxy resin, a stirrer whisk with a so-called right-hand spiral is recommended for optimum use. With a right-hand spiral, the material is moved from the bottom upwards and the stirrer whisk is pulled downwards

(working its way into the mixture). Materials with high viscosity are mixed thoroughly, so a high speed is recommended (gear 2).

- For optimum results, move the power tool in an up and down motion while mixing.
- It is recommended to clean the whisk after use, for example by stirring the whisk in a bucket filled with water.

## 5. MAINTENANCE



*Always disconnect the machine from the main power supply before carrying out any maintenance work.*

Clean the machine casings regularly with a soft cloth, preferably after each use. Make sure that the ventilation openings are free of dust and dirt. Remove very persistent dirt using a soft cloth moistened with soapsuds. Do not use any solvents such as gasoline, alcohol, ammonia, etc. Chemicals such as these will damage the synthetic components.

## ENVIRONMENT



*Faulty and/or discarded electrical or electronic apparatus have to be collected at the appropriate recycling locations.*

### Only for EC countries

Do not dispose of power tools into domestic waste. According to the European Guideline 2012/19/EC for Waste Electrical and Electronic Equipment and its implementation into national right, power tools that are no longer usable must be collected separately and disposed of in an environmentally friendly way.

## WARRANTY

VONROC products are developed to the highest quality standards and are guaranteed free of defects in both materials and workmanship for the period lawfully stipulated starting from the date of original purchase. Should the product develop any failure during this period due to defective material and/or workmanship then contact VONROC directly.

The following circumstances are excluded from this guarantee:

- Repairs and or alterations have been made or attempted to the machine by unauthorized service centers;
- Normal wear and tear;
- The tool has been abused, misused or improperly maintained;
- Non-original spare parts have been used.

This constitutes the sole warranty made by company either expressed or implied. There are no other warranties expressed or implied which extend beyond the face hereof, herein, including the implied warranties of merchantability and fitness for a particular purpose. In no event shall VONROC be liable for any incidental or consequential damages. The dealers remedies shall be limited to repair or replacement of nonconforming units or parts.

**The product and the user manual are subject to change. Specifications can be changed without further notice.**

## 1. SICHERHEITSANWEISUNGEN

Lesen Sie die beiliegenden Sicherheitsanweisungen, die zusätzlichen Sicherheitsanweisungen sowie diese Bedienungsanleitung sorgfältig durch. Bei Nichtbeachten der Sicherheitsanweisungen und der Bedienungsanleitung kann es zu einem Stromschlag, einem Brand und/oder schweren Verletzungen kommen. Bewahren Sie die Sicherheitsanweisungen und die Bedienungsanleitung zur künftigen Bezugnahme sicher auf.

Folgende Symbole werden im Benutzerhandbuch oder auf dem Produkt verwendet:



*Lesen Sie das Benutzerhandbuch.*



*Lebens- und Verletzungsgefahr und Gefahr von Beschädigungen am Werkzeug/Gerät bei Nichteinhaltung der Anweisungen in dieser Bedienungsanleitung.*



*Gefahr eines Stromschlags.*



*Verstellbarer Geschwindigkeitsregler.*



*Schutzbrille und Gehörschutz tragen.*



*Tragen Sie eine Staubmaske.*



*Gerät der Schutzklasse II – schutzisoliert – kein Schutzkontakt erforderlich.*



*Das Produkt entspricht den geltenden Sicherheitsnormen der europäischen Richtlinien.*

### ALLGEMEINE SICHERHEITSHINWEISE



**ACHTUNG! Lesen Sie alle Sicherheitshinweise und Anweisungen.** Fehler bei der Einhaltung der nachstehend aufgeführten Anweisungen können elektrischen Schlag, Brand und/oder schwere Verletzungen verursachen.

**Bewahren Sie diese Anweisungen gut auf.** Der nachfolgend verwendete Begriff „Elektrowerkzeug“ bezieht sich auf netzbetriebene Elektrowerkzeuge (mit Netzkabel) und auf akkubetriebene Elektrowerkzeuge (ohne Netzkabel).

- 1) **Arbeitsplatz**
  - a) **Halten Sie Ihren Arbeitsbereich sauber und aufgeräumt.** Unordnung und unbeleuchtete Arbeitsbereiche können zu Unfällen führen.
  - b) **Arbeiten Sie mit dem Gerät nicht in explosionsgefährdeter Umgebung, in der sich brennbare Flüssigkeiten, Gase oder Staub befinden.** Elektrowerkzeuge erzeugen Funken, die den Staub oder die Dämpfe entzünden können.
  - c) **Halten Sie Kinder und andere Personen während der Benutzung des Elektrowerkzeugs fern.** Bei Ablenkung können Sie die Kontrolle über das Gerät verlieren.
- 2) **Elektrische Sicherheit**
  - a) **Der Anschlussstecker des Gerätes muss in die Steckdose passen. Der Netzstecker darf in keener Weise verändert werden. Verwenden Sie keine Adapterstecker gemeinsam mit schutzgeerdeten Geräten. Unveränderte Netzstecker und passende Steckdosen verringern das Risiko eines elektrischen Schlages.**
  - b) **Vermeiden Sie Körperkontakt mit geerdeten Oberflächen, wie von Rohren, Heizungen, Herden und Kühlschränken.** Es besteht ein erhöhtes Risiko durch elektrischen Schlag, wenn Ihr Körper geerdet ist.
  - c) **Halten Sie das Gerät von Regen oder Nässe fern.** Das Eindringen von Wasser in ein Elektrogerät erhöht das Risiko eines elektrischen Schlages.
  - d) **Zweckentfremden Sie das Netzkabel nicht, um das Gerät zu tragen, aufzuhängen oder um den Netzstecker aus der Steckdose zu ziehen. Halten Sie das Netzkabel fern von Hitze, Öl, scharfen Kanten oder sich bewegenden Geräteteilen.** Beschädigte oder verwickelte Netzkabel erhöhen das Risiko eines elektrischen Schlages.
  - e) **Wenn Sie mit einem Elektrowerkzeug im Freien arbeiten, verwenden Sie nur Verlängerungskabel, die auch für den Außenbereich zugelassen sind.** Die Anwendung eines für den Außenbereich geeigneten Verlängerungskabels verringert das Risiko eines elektrischen Schlages
  - f) **Wenn sich Arbeiten mit einem Elektrowerkzeug in feuchten Umgebungen nicht vermeiden lassen, verwenden Sie eine Stromversorgung mit einer Fehlerstrom-Schutzeinrichtung (RCD).** Durch die Verwendung einer RCD wird die Gefahr eines elektrischen Schlags verringert.



### 3) Sicherheit von Personen

- a) **Seien Sie aufmerksam. Achten Sie darauf, was Sie tun, und gehen Sie mit Vernunft an die Arbeit mit einem Elektrowerkzeug. Benutzen Sie das Gerät nicht, wenn Sie müde sind oder unter dem Einfluss von Drogen, Alkohol oder Medikamenten stehen.** Ein Moment der Unachtsamkeit beim Gebrauch des Gerätes kann zu ernsthaften Verletzungen führen.
- b) **Tragen Sie persönliche Schutzausrüstung und immer eine Schutzbrille.** Das Tragen persönlicher Schutzausrüstung, wie Staubmaske, rutschfeste Sicherheitsschuhe, Schutzhelm oder Gehörschutz, je nach Art und Einsatz des Elektrowerkzeuges, verringert das Risiko von Verletzungen.
- c) **Vermeiden Sie eine unbeabsichtigte Inbetriebnahme. Vergewissern Sie sich, dass der Schalter in der Position „AUS(0)“ ist, bevor Sie den Netzstecker in die Steckdose stecken.** Wenn Sie beim Tragen des Geräts den Finger am Schalter haben oder das Gerät eingeschaltet an die Stromversorgung anschließen, kann dies zu Unfällen führen.
- d) **Entfernen Sie Einstellwerkzeuge oder Schraubenschlüssel, bevor Sie das Gerät einschalten.** Ein Werkzeug oder Schlüssel, der sich in einem drehenden Geräteteil befindet, kann zu Verletzungen führen.
- e) **Überschätzen Sie sich nicht.** Sorgen Sie für **einen sicheren Stand und halten Sie jederzeit das Gleichgewicht.** Dadurch können Sie das Gerät in unerwarteten Situationen besser kontrollieren.
- f) **Tragen Sie geeignete Kleidung. Tragen Sie keine weite Kleidung oder Schmuck. Halten Sie Haare, Kleidung und Handschuhe fern von sich bewegenden Teilen.** Lockere Kleidung, Schmuck oder lange Haare können von sich bewegenden Teilen erfasst werden.
- g) **Wenn Staubabsaug- und -auffangeinrichtungen montiert werden können, vergewissern Sie sich, dass diese angeschlossen sind und richtig verwendet werden.** Das Verwenden dieser Einrichtungen verringert Gefährdungen durch Staub.
- h) **Achten Sie darauf, nicht durch häufigen Gebrauch von Werkzeugen nachlässig zu werden und die Prinzipien zum sicheren Umgang mit den Werkzeugen zu ignorieren.** Eine unachtsame Handlung kann innerhalb von Sekundenbruchteilen schwere Verletzungen verursachen.

### 4) Sorgfältiger Umgang und Gebrauch von Elektrowerkzeugen

- a) **Überlasten Sie das Gerät nicht. Verwenden Sie für Ihre Arbeit das dafür bestimmte Elektrowerkzeug.** Mit dem passenden Elektrowerkzeug arbeiten Sie besser und sicherer im angegebenen Leistungsbereich.
- b) **Benutzen Sie kein Elektrowerkzeug, dessen Schalter defekt ist.** Ein Elektrowerkzeug, das sich nicht mehr ein- oder ausschalten lässt, ist gefährlich und muss repariert werden.
- c) **Ziehen Sie den Netzstecker aus der Steckdose, bevor Sie Geräteeinstellungen vornehmen, Zubehörteile wechseln oder das Gerät weglegen.** Diese Vorsichtsmaßnahme verhindert den unbeabsichtigten Start des Geräts.
- d) **Bewahren Sie unbenutzte Elektrowerkzeuge außerhalb der Reichweite von Kindern auf. Lassen Sie Personen das Gerät nicht benutzen, die mit diesem nicht vertraut sind oder diese Anweisungen nicht gelesen haben.** Elektrowerkzeuge sind gefährlich, wenn Sie von unerfahrenen Personen benutzt werden.
- e) **Pflegen Sie das Gerät mit Sorgfalt. Kontrollieren Sie, ob bewegliche Geräteteile einwandfrei funktionieren und nicht klemmen, ob Teile gebrochen oder so beschädigt sind, dass die Funktion des Gerätes beeinträchtigt ist. Lassen Sie beschädigte Teile vor dem Einsatz des Gerätes reparieren.** Viele Unfälle haben ihre Ursache in schlecht gewarteten Elektrowerkzeugen.
- f) **Halten Sie Schneidwerkzeuge scharf und sauber.** Sorgfältig gepflegte Schneidwerkzeuge mit scharfen Schneidkanten verklemmen sich weniger und sind leichter zu führen.
- g) **Verwenden Sie Elektrowerkzeug, Zubehör, Einsatzwerkzeuge usw. entsprechend diesen Anweisungen und so, wie es für diesen speziellen Gerätetyp vorgeschrieben ist. Berücksichtigen Sie dabei die Arbeitsbedingungen und die auszuführende Tätigkeit.** Der Gebrauch von Elektrowerkzeugen für andere als die vorgesehenen Anwendungen kann zu gefährlichen Situationen führen.
- h) **Halten Sie Griffe und Greifflächen immer trocken, sauber und frei von Öl und Fett.** Rutschige Griffe und Greifflächen verhindern in unerwarteten Situationen den sicheren Umgang mit dem Werkzeug und die richtige Kontrolle darüber.

### 5) Umgang mit Akkuwerkzeugen

- a) **Zum Laden ist ausschließlich das vom Hersteller angegebene Ladegerät zu verwenden.** Ein Ladegerät, das für eine Art von Akkus geeignet ist, kann bei Verwendung mit einer anderen Art von Akku Brandgefahr verursachen.
  - b) **Elektrowerkzeuge dürfen nur mit speziell dazu bestimmten Akkus verwendet werden,** da bei der Verwendung anderer Akkus Verletzungs- und Brandgefahr entstehen kann.
  - c) **Wenn der Akku nicht in Gebrauch ist, ist er von Büroklammern, Münzen, Schlüssel, Nägel, Schrauben und anderen kleinen Metallobjekten fernzuhalten, die eine Verbindung zwischen den Polen bilden können.** Kurzschließen der Pole kann Brand oder Verbrennungen verursachen.
  - d) **Bei falschem Umgang mit dem Akku kann Flüssigkeit aus dem Akku austreten. Die Berührung dieser Flüssigkeit ist zu vermeiden. Bei Berührung den betroffenen Körperteil mit Wasser abspülen. Bei Berührung der Flüssigkeit mit den Augen muss zusätzlich ärztliche Hilfe gerufen werden.** Die Akkuflüssigkeit kann Reizungen oder Verbrennungen verursachen.
  - e) **Verwenden Sie keinesfalls Akkus und Werkzeuge, die beschädigt oder verändert wurden.** Beschädigte oder veränderte Akkus können ein unvorhersehbares Verhalten zeigen, das zu Feuer, Explosionen oder Verletzungsgefahren führt.
  - f) **Setzen Sie Akkus oder Werkzeuge keinem Feuer oder übermäßigen Temperaturen aus.** Feuer oder Temperaturen über 130 °C können zu Explosionen führen. HINWEIS: Die Temperaturangabe „130 °C“ kann durch die Temperaturangabe „265 °F“ ersetzt werden.
  - g) **Beachten Sie alle Hinweise zum Aufladen und laden Sie Akkus oder Werkzeuge nicht außerhalb der in der Anleitung angegebenen Temperaturbereiche auf.** Unsachgemäßes Aufladen oder Aufladen bei Temperaturen außerhalb des angegebenen Bereichs kann den Akku schädigen und die Brandgefahr erhöhen.
- 6) Service**
- a) **Lassen Sie Ihre Werkzeuge durch einen qualifizierten Reparaturtechniker ausschließlich mit identischen Ersatzteilen warten.** So lässt sich eine gleich bleibende Sicherheit des Elektrowerkzeugs gewährleisten.

- b) **Beschädigte Akkus dürfen keinesfalls gewartet werden.** Die Wartung von Akkus darf nur vom Hersteller oder von Vertragswerkstätten durchgeführt werden.

### ZUSÄTZLICHE SICHERHEITSHINWEISE

- **Ziehen Sie den Rührquirl fest an und entfernen Sie den Schraubenschlüssel vor dem Start der Maschine.**
- **Verwenden Sie das Elektrowerkzeug nicht für explosive Materialien (z. B. leicht entflammbare Lösungsmittel).** Elektrowerkzeuge erzeugen Funken, die sich entwickelnde Dämpfe entzünden könnten.
- **Sollte das Elektrowerkzeug in das zu rührende Material fallen, dann ziehen Sie sofort den Stecker und lassen Sie das Elektrowerkzeug von einem After-Sales-Servicevertreter prüfen.** Material, das in das Elektrowerkzeug eingedrungen ist, kann Schaden verursachen und zu einem Stromschlag führen.
- **Halten Sie die Maschine mit beiden Händen durch die isolierte Grifffläche fest, während Sie arbeiten sowie auf einen festen Stand achten und das Gleichgewicht halten.** Die Maschine ist sicherer, wenn sie mit beiden Händen geführt wird. Ein Kontrollverlust kann Personenschäden verursachen.
- **Halten Sie das Elektrowerkzeug an den isolierten Griffflächen, wenn Arbeiten durchgeführt werden, bei denen das Werkzeug versteckte Leitungen oder sein eigenes Kabel berühren könnte.** Der Kontakt des Zubehörs mit einer spannungsführenden Leitung kann auch metallene Geräteteile unter Spannung setzen und zu einem elektrischen Schlag führen.
- **Schalten Sie das Elektrowerkzeug sofort aus, wenn der Werkzeugeinsatz sich verklemmt. Seien Sie auf hohe Gegenmomente vorbereitet, die Rückschläge verursachen können.**  
Der Werkzeugeinsatz verklemmt sich, wenn:
  - das Elektrowerkzeug überlastet ist oder
  - es im Werkstück verkeilt wird.
- **Mixen Sie keine Lebensmittel.** Elektrowerkzeuge und ihr Zubehör sind nicht auf die Verarbeitung von Lebensmitteln ausgelegt.
- **Halten Sie das Kabel aus dem Arbeitsbereich fern.** Das Kabel kann vom Rührwerk verwickelt werden.
- **Der Mischbehälter muss sich zum Mixen eignen und sicher stehen.** Ein Behälter, der nicht ord-

ungsgemäß gesichert ist, kann sich unkontrolliert bewegen.

- **Stellen Sie sicher, dass keine Flüssigkeit gegen das Gehäuse des Elektrowerkzeugs spritzt.** Flüssigkeit, das in das Elektrowerkzeug eingedrungen ist, kann Schaden verursachen und zu einem Stromschlag führen.
- **Folgen Sie den Anweisungen und Warnungen in den Material Sicherheitsdatenblättern (MSDS) des zu mischenden Materials.** Das zu mischende Material kann schädlich sein.
- **Im Falle eines Stromausfalls den Sperrschalter durch Drücken des An-/Aus-Schalters lösen.** Dies verhindert ein versehentliches Starten des Elektrowerkzeugs (Verletzungsgefahr).
- **Das Elektrowerkzeug nicht in einem Ständer verwenden.**

**Sicherheit bei Elektrizität**



*Achten Sie stets darauf, dass die Spannung der Stromversorgung mit der Spannung auf dem Typenschild übereinstimmt.*

- Verwenden Sie die Maschine nicht, wenn das Netzkabel oder der Netzstecker beschädigt ist.
- Verwenden Sie nur Verlängerungskabel, die für die Leistungsaufnahme der Maschine geeignet sind und eine Mindestaderstärke von 1,5 mm<sup>2</sup> haben. Falls Sie eine Kabeltrommel verwenden, rollen Sie das Kabel immer vollständig ab.

**2. ANGABEN ZUM WERKZEUG**

**Verwendungszweck**

Die Maschine ist darauf ausgelegt, pulverisierte Baustoffe, wie Mörtel, Putz, Klebstoffe sowie lösungsmittelfreie Farbe, Lack und ähnliche Substanzen zu mischen. Eine unsachgemäße Verwendung kann das Werkzeug beschädigen.

**TECHNISCHE DATEN**

<b>Modellnummer</b>	<b>PM502AC</b>	
Netzspannung	230-240V~	
Frequenz	50Hz	
Leistung	1800W	
Leerlaufdrehzahl	Stufe 1	180-400/min
	Stufe 2	300-700/min
Werkzeughalterung	M14	
Rührer	Ø 140mm	

Gewicht	4,45 kg
Schalldruckpegel L <sub>PA</sub>	87,6+3 dB(A)
Schallleistungspegel L <sub>WA</sub>	98,6+3 dB(A)
Schwingung	5,187+1,5 m/s <sup>2</sup>

**Vibrationsintensität**

Die in dieser Bedienungsanleitung angegebene Vibrationsintensität wurde mit einem standardisierten Test gemäß EN60745 gemessen. Anhand dieser Größe können Werkzeuge miteinander verglichen werden. Außerdem eignet sich diese Größe für eine erste Beurteilung der Vibrationsbelastung bei Verwendung des Werkzeugs für die angegebenen Anwendungszwecke.

- Bei Verwendung des Werkzeugs für andere Anwendungen oder mit anderem oder unzureichend gewartetem Zubehör kann sich die Vibrationsbelastung erheblich erhöhen.
- Wenn das Werkzeug ausgeschaltet ist, oder wenn es eingeschaltet ist, jedoch nicht genutzt wird, kann sich die Vibrationsbelastung erheblich verringern.

Schützen Sie sich vor den Auswirkungen der Vibration durch Wartung des Werkzeugs und des Zubehörs, halten Sie Ihre Hände warm, und organisieren Sie Ihren Arbeitsablauf.

**BESCHREIBUNG**

Die Buchstaben und Ziffern im folgenden Text verweisen auf die Abbildungen auf Seite 2.

1. Ein-/Ausschalter
2. Lock-Off-Taste
3. Geschwindigkeitseinstellrad
4. Stufenwahlschalter
5. Werkzeughalterung
6. Griff
7. Lüftungsöffnungen
8. Rührerwelle
9. Rührstange

**3. MONTAGE**

**Zusammenbau des zweiteiligen Rührers (Abb. A)**

1. Schrauben Sie die Rührerwelle (8) auf die Rührstange (9)
2. Ziehen Sie beide Teile sicher fest

**Austausch des Rührers (Abb. A)**

Schalten Sie die Maschine vor der Montage aus und ziehen Sie den Netzstecker aus der Steckdose.

Verwenden Sie nur Rührer, die dem angegebenen Durchmesser entsprechen. Verwenden Sie immer einen Rührer, der sich für das zu mischende/ rührende Material eignet. Die Verwendung eines ungeeigneten Mixstabs kann sowohl die Maschine als auch Sie selbst unnötig überlasten.

**Montage des Rührers**

1. Schrauben Sie den zusammengebauten Rührer im Uhrzeigersinn soweit wie möglich in den Werkzeughalter (5).
2. Ziehen Sie den Rührer mit dem mitgelieferten Schraubenschlüssel in der Werkzeughalterung fest. Halten Sie dabei die Werkzeughalterung (5) mit einem der mitgelieferten Schraubenschlüssel und verwenden Sie den zweiten Schraubenschlüssel, um den zusammengebauten Rührer festzuziehen.

**Entfernen des Rührers**

1. Lösen Sie den zusammengebauten Rührer mit den mitgelieferten Schraubenschlüsseln. Halten Sie dabei die Werkzeughalterung (5) mit einem der mitgelieferten Schraubenschlüssel und verwenden Sie den zweiten Schraubenschlüssel, um den zusammengebauten Rührer zu lösen.
2. Schrauben Sie den Rührer ientgegen den Uhrzeigersinn von der Werkzeughalterung (5) ab.

**4. BETRIEB****Ein-/Ausschalter (Abb. A)**

Das Werkzeug wird mit dem EIN/AUS-Schalter (1) ein- bzw. ausgeschaltet. Mit diesem Schalter wird außerdem die Geschwindigkeit abgeglichen.

- Um die Maschine zu starten, halten Sie die Lock-Off-Taste (2) gedrückt und drücken den Ein-/ Ausschalter (1).
- Um die Maschine anzuhalten, lassen Sie den Ein-/Ausschalter (1) los.

**Stufenauswahl (Abb. B)**

Mit dem Stufenwahlschalter (4) können zwei mechanische Drehzahlbereiche ausgewählt werden:

Stufe 1	180-400/min
Stufe 2	300-700/min

Die notwendige Stufe hängt von der gemischten Materialart ab und es wird empfohlen, diese durch einen praktischen Test zu prüfen.

**Geschwindigkeitseinstellung (Abb. B)**

Die gewünschte Geschwindigkeit ist durch den Geschwindigkeitseinstellknopf (3) einstellbar. Die Geschwindigkeit kann auch während des Betriebs eingestellt werden.

- Um die Geschwindigkeit zu erhöhen, drehen Sie den Geschwindigkeitseinstellknopf (3) im Uhrzeigersinn.
- Um die Geschwindigkeit zu verringern, drehen Sie den Geschwindigkeitseinstellknopf (3) gegen den Uhrzeigersinn.

Die erforderliche Geschwindigkeit hängt vom Material ab und kann durch praktische Tests ermittelt werden.

**Optimale Verwendung**

- Für Materialien mit geringer Viskosität, z. B. Dispersionsfarbe, Lack, Kleber, Vergussmasse und Zementschlamm wird ein Rührwerk mit einer sogenannten Spirale mit Linksbedienung für optimale Verwendung empfohlen. Mit einer Spirale mit Linksbedienung wird das Material von oben nach unten bewegt und das Rührwerk wird nach oben gedrückt. Materialien mit geringer Viskosität werden so gemischt, dass Spritzer minimiert werden. Somit wird eine niedrige Geschwindigkeit empfohlen (Stufe 1).
- Für Materialien mit hoher Viskosität, z. B. Putz, Beton, Zement, Estrich, Füllmasse und Teerepoxidharz wird ein Rührwerk mit einer sogenannten Spirale mit Rechtsbedienung für optimale Verwendung empfohlen. Mit einer Spirale mit Rechtsbedienung wird das Material von unten nach oben bewegt und das Rührwerk wird nach unten gezogen (und bahnt sich ihren Weg in das Gemisch). Materialien mit hoher Viskosität werden sorgfältig gemischt, sodass eine hohe Geschwindigkeit empfohlen wird (Stufe 2).
- Bewegen Sie das Elektrowerkzeug für optimale Ergebnisse während des Mischens auf und ab.
- Es wird empfohlen, den Rührer nach dem Gebrauch zu reinigen, zum Beispiel durch Rühren in einem mit Wasser gefüllten Eimer.

## 5. WARTUNG



*Trennen Sie die Maschine vom Netz, wenn Sie am Mechanismus Wartungsarbeiten ausführen müssen.*

Reinigen Sie das Werkzeuggehäuse regelmäßig mit einem weichen Lappen, vorzugsweise nach jeder Verwendung. Stellen Sie sicher, dass die Lüftungsöffnungen frei von Staub und Schmutz sind. Entfernen Sie anhaftenden Schmutz mit einem weichen Lappen, der leicht mit Seifenwasser befeuchtet wurde. Verwenden Sie keine Lösungsmittel wie Benzin, Alkohol, Ammoniak usw., da Chemikalien dieser Art die Kunststoffteile beschädigen.

## UMWELTSCHUTZ



*Schadhafte und/oder zu entsorgende elektrische oder elektronische Werkzeuge und Geräte müssen an den dafür vorgesehenen Recycling-Stellen abgegeben werden.*

### Nur für EG-Länder

Entsorgen Sie Elektrowerkzeuge nicht über den Hausmüll. Entsprechend der EU-Richtlinie 2012/19/EG über Elektro- und Elektronik-Altgeräte sowie der Umsetzung in nationales Recht müssen Elektrowerkzeuge, die nicht mehr im Gebrauch sind, getrennt gesammelt und umweltschonend entsorgt werden.

## GARANTIE

VONROC-Produkte werden nach den höchsten Qualitätsstandards entwickelt und sind für den gesetzlich festgelegten Zeitraum, ausgehend von dem ursprünglichen Kaufdatum, garantiert frei von Fehlern in Material und Ausführung. Sollte das Produkt in diesem Zeitraum aufgrund von Material- und/oder Verarbeitungsmängeln Fehler aufweisen, wenden Sie sich bitte direkt an VONROC Kundendienst.

Folgende Umstände sind von der Garantie ausgeschlossen:

- Reparaturen und oder Änderungen an der Maschine, die durch nicht-autorisierte Servicestellen vorgenommen oder versucht wurden.
- Normale Abnutzung und Verschleiß.
- Das Werkzeug wurde übermäßig beansprucht, missbräuchlich verwendet oder falsch gewartet.
- Es wurden keine Original-Ersatzteile verwendet.

Dies stellt die einzige Gewährleistung des Unternehmens dar, sowohl ausdrücklich als auch implizit. Es gibt keine anderen ausdrücklichen oder stillschweigenden Garantien, die über das hier Genannte hinausgehen, einschließlich der stillschweigenden Garantien der Marktgängigkeit oder Eignung für einen bestimmten Zweck. In keinem Fall ist VONROC haftbar für Neben- oder Folgeschäden. Die Rechtsmittel des Händlers beschränken sich auf Reparatur oder Ersatz fehlerhafter Einheiten oder Teile.

**Am Produkt und am Benutzerhandbuch können Änderungen vorgenommen werden. Die technischen Daten können sich ohne Vorankündigung ändern.**

## 1. VEILIGHEIDSVOORSCHRIFTEN

Lees de bijgesloten veiligheidswaarschuwingen, de aanvullende veiligheidswaarschuwingen en de instructies. Het niet opvolgen van de veiligheidswaarschuwingen kan elektrische schokken, brand en/of ernstig letsel tot gevolg hebben. Bewaar de veiligheidswaarschuwingen en instructies als naslagwerk voor later.

De volgende symbolen worden gebruikt in de gebruikershandleiding of op het product:



*Lees de gebruikershandleiding.*



*Gevaar voor lichamelijk letsel, overlijden of schade aan de machine wanneer de instructies in deze handleiding niet worden opgevolgd.*



*Gevaar voor elektrische schokken.*



*Variabele elektronische snelheid.*



*Draag oog- en gehoorbescherming.*



*Draag een stofmasker.*



*Klasse II apparaat - Dubbel geïsoleerd - Een geaarde stekker is niet noodzakelijk.*



*Het product is in overeenstemming met de van toepassing zijnde veiligheidsnormen in de Europese richtlijnen.*

### ALGEMENE VEILIGHEIDSVOORSCHRIFTEN



**WAARSCHUWING! Lees alle veiligheidswaarschuwingen en alle instructies.** Het niet opvolgen van onderstaande instructies kan leiden tot een elektrische schok, brand en/of ernstig persoonlijk letsel.

#### Bewaar deze instructies.

De term "elektrisch gereedschap" in onderstaande waarschuwingen heeft betrekking op zowel apparatuur met een vaste elektriciteitskabel als op apparatuur met een accu (draadloze apparatuur).

#### 1) Werkgebied

- a) **Zorg voor een opgeruimde en goed verlichte werkomgeving.** Rommelige en donkere werkomgevingen leiden tot ongelukken

- b) **Gebruik elektrisch gereedschap nooit in een omgeving waar explosiegevaar bestaat, zoals in de nabijheid van ontvlambare vloeistoffen, gassen, dampen of andere stoffen.** Elektrische gereedschappen kunnen vonken veroorzaken, die deze stoffen tot ontbranding kunnen brengen.
- c) **Wanneer u elektrisch gereedschap gebruikt, houd dan kinderen en omstanders op afstand.** Wanneer u wordt afgeleid, kunt u de controle over het gereedschap verliezen.

#### 2) Elektrische veiligheid

- a) **Stekkers van elektrische gereedschappen moeten probleemloos passen op het stopcontact. Breng nooit wijzigingen aan in of aan de stekker. Gebruik geen adapters voor geaarde elektrische gereedschappen.** Standaardstekkers en passende stopcontacten verkleinen de kans op een elektrische schok.
- b) **Voorkom lichamelijk contact met geaarde oppervlakken van bijvoorbeeld pijpen, leidingen, radiatoren, fornuizen en koelkasten.** Wanneer uw lichaam geaard is, wordt de kans op een elektrische schok groter.
- c) **Stel elektrische gereedschappen nooit bloot aan regen of vocht.** Wanneer er water binnendringt in een elektrisch gereedschap, wordt de kans op een elektrische schok groter.
- d) **Gebruik het snoer niet om het elektrisch gereedschap te dragen, te verplaatsen of de stekker uit het stopcontact te trekken. Bescherm het snoer tegen olie, warmte, scherpe randen en bewegende delen.** Beschadigde of vastzittende snoeren vergroten de kans op een elektrische schok.
- e) **Wanneer u elektrische gereedschappen buiten gebruikt, gebruik dan een verlengkabel die geschikt is voor buitengebruik.** Door een kabel te gebruiken die geschikt is voor buitengebruik, wordt de kans op een elektrische schok kleiner.
- f) **Gebruik een aardlekbeveiliging (RCD) als niet te voorkomen is dat een powertool moet worden gebruikt in een vochtige omgeving.** Gebruik van een RCD vermindert het risico van elektrische schokken.

#### 3) Persoonlijke veiligheid

- a) **Blijf altijd alert, kijk goed wat u doet en gebruik uw gezonde verstand wanneer u een elektrisch gereedschap gebruikt. Gebruik geen elektrische gereedschappen wanneer u**

- moe bent, of drugs, alcohol of medicijnen hebt gebruikt.** Eén moment van onachtzaamheid bij het gebruik van elektrische gereedschappen kan ernstige verwondingen tot gevolg hebben.
- b) **Gebruik persoonlijke beschermingsmiddelen. Draag altijd een veiligheidsbril.** Een gepast gebruik van veiligheidsvoorzieningen, zoals een stof masker, speciale werkschoenen met antislipzolen, een veiligheidshelm en gehoorbescherming verkleinen de kans op persoonlijk letsel.
- c) **Voorkom dat het gereedschap per ongeluk wordt gestart. Zorg dat de schakelaar op de UITpositie staat, voordat u de stekker in het stopcontact steekt.** Draag elektrisch gereedschap nooit met uw vinger op de schakelaar en steek ook nooit de stekker van ingeschakelde elektrische gereedschappen in het stopcontact: dit leidt tot ongelukken.
- d) **Verwijder alle instel en andere sleutels uit het elektrisch gereedschap voordat u hem inschakelt.** Instel en andere sleutels aan een ronddraaiend onderdeel van het elektrisch gereedschap kunnen tot verwondingen leiden.
- e) **Zorg dat u nooit uw evenwicht kunt verliezen; houd altijd twee voeten stevig op de vloer.** Hierdoor kunt u het elektrisch gereedschap in onverwachte situaties beter onder controle houden.
- f) **Zorg dat u geschikte kleding draagt. Draag geen loshangende kleding of sieraden. Houd uw haar, kleding en handschoenen uit de buurt van bewegende delen.** Loshangende kleding, sieraden en lang haar kunnen vast komen te zitten in bewegende delen.
- g) **Wanneer er voorzieningen zijn voor de aansluiting van stofafzuiginstallaties, zorg dan dat ze op de juiste wijze worden aangesloten en gebruikt.** Gebruik van deze voorzieningen vermindert de gevaren die door stof worden veroorzaakt.
- h) **Denk niet dat doordat u gereedschap vaak gebruikt, u wel weet hoe het allemaal werkt en dat u de veiligheidsbeginselen voor het gebruik van het gereedschap wel kunt negeren.** Een onbezonnen actie kan in een fractie van een seconde ernstig letsel tot gevolg hebben.
- 4) **Gebruik en onderhoud van elektrisch gereedschap**
- a) **Oefen geen overmatige kracht uit op elektrisch gereedschap. Gebruik het juiste gereedschap voor uw specifieke toepassing.** Met het juiste elektrische gereedschap voert u de taak beter en veiliger uit wanneer dit op de snelheid gebeurt waarvoor het apparaat is ontworpen.
- b) **Gebruik nooit elektrisch gereedschap waarvan de AAN/UITschakelaar niet werkt.** Ieder elektrisch gereedschap dat niet kan worden in en uitgeschakeld met de schakelaar is gevaarlijk en moet worden gerepareerd.
- c) **Trek de stekker uit het stopcontact voordat u wijzigingen aanbrengt aan elektrische gereedschappen, accessoires verwisselt of het elektrisch gereedschap opbergt.** Wanneer u zich aan deze preventieve veiligheidsmaatregelen houdt, beperkt u het risico dat het gereedschap per ongeluk wordt gestart.
- d) **Berg elektrisch gereedschap dat niet in gebruik is op buiten bereik van kinderen en laat personen die niet bekend zijn met het gereedschap of deze instructies het apparaat niet gebruiken.** Elektrisch gereedschap is gevaarlijk in de handen van ongeofende gebruikers.
- e) **Zorg voor een goed onderhoud van elektrisch gereedschap. Controleer of bewegende delen op de juiste wijze zijn vastgezet. Controleer ook of er geen onderdelen defect zijn of dat er andere omstandigheden zijn die van invloed kunnen zijn op de werking van het gereedschap. Laat het gereedschap bij beschadigingen repareren vóór gebruik.** Veel ongelukken worden veroorzaakt door slecht onderhoud van het gereedschap.
- f) **Zorg dat snij en zaagwerktuigen scherp en schoon blijven.** Goed onderhouden snij en zaagwerktuigen met scherpe randen zullen minder snel vastlopen en zijn eenvoudiger onder controle te houden.
- g) **Gebruik alle elektrische gereedschappen, accessoires, bitjes etc., zoals aangegeven in deze instructies en op de wijze waarvoor het gereedschap is ontworpen. Houd daarbij rekening met de werkomstandigheden en de uit te voeren taak.** Gebruik van elektrisch gereedschap voor handelingen die afwijken van de taken waarvoor het apparaat is ontworpen kunnen leiden tot gevaarlijke situaties.
- h) **Houd handgrepen en greepoppervlakken droog, schoon en vrij van olie en vet.** Gladde handgrepen en greepoppervlakken maken veilig werken en controle over het gereedschap in onverwachte situaties onmogelijk.

### 5) Gebruik en onderhoud accugereedschap

- a) **Laad alleen op met de lader die door de fabrikant is gespecificeerd.** Een lader die voor een bepaalde accu geschikt is, kan brand veroorzaken wanneer deze met een andere accu wordt gebruikt.
- b) **Gebruik elektrisch gereedschap alleen met de speciaal hiervoor bedoelde accu's.** Gebruik van andere accu's kan kans op letsel en brand geven.
- c) **Wanneer de accu niet in gebruik is, houd deze dan uit de buurt van andere metalen voorwerpen zoals paperclips, munten, sleutels, spijkers, schroeven of andere kleine metalen voorwerpen die een verbinding tussen twee polen kunnen maken.** Kortsluiting tussen de accupolen kan brandwonden of brand veroorzaken.
- d) **Wanneer de accu niet juist wordt gebruikt, kan er vloeistof uit lopen; raak dit niet aan. Wanneer dit per ongeluk wel gebeurt, spoel dan met water. Wanneer de vloeistof in de ogen komt, moet u een arts raadplegen.** De vloeistof uit de accu kan irritaties of brandwonden veroorzaken.
- e) **Gebruiken niet een accu of gereedschap dat beschadigd is of gemodificeerd.** Beschadigde of gemodificeerde accu's kunnen onvoorspelbaar gedrag vertonen, wat brand, explosie of een risico van letsel met zich meebrengt.
- f) **Stel een accu over het gereedschap niet bloot aan open vuur of een uitzonderlijk hoge temperatuur.** Blootstelling aan vuur of een temperatuur hoger dan 130 °C, kan een explosie veroorzaken. NB De temperatuur van "130 °C" kan worden vervangen door de temperatuur van "265 °F".
- g) **Houd u aan alle instructies voor het laden en laad de accu of het gereedschap niet op buiten het temperatuurbereik dat in de instructies wordt aangeduid.** Op een onjuiste wijze laden of laden bij temperaturen buiten het aangeduide bereik kan de accu beschadigen en het risico van brand doen toenemen.

### 6) Service

- a) **Laat uw gereedschap onderhouden door een gekwalificeerde onderhoudstechnicus die alleen gebruikmaakt van identieke vervangingsonderdelen.** Dit zorgt ervoor dat de veiligheid van de power tool intact blijft.
- b) **Voer nooit servicewerkzaamheden uit aan beschadigde accu's.** Alleen de fabrikant of geautoriseerde service-providers mogen servicewerkzaamheden aan accu's uitvoeren.

### AANVULLENDE VEILIGHEIDSWAARSCHUWINGEN

- **Houd de mengersleutel stevig vast en start de machine pas wanneer u de steeksleutel hebt verwijderd.**
- **Gebruik het elektrisch gereedschap niet voor explosieve materialen (bijv. oplosmiddelen die gemakkelijk vlam kunnen vatten).** Elektrisch gereedschap produceert vonken die ontstane dampen vlam kunnen doen vatten.
- **Als het elektrisch gereedschap in het te roeren materiaal valt, moet u onmiddellijk de stekker uit het stopcontact trekken en het gereedschap laten nazien door een servicemonteur.** Materiaal dat in het elektrisch gereedschap is gedrongen kan schade veroorzaken en een elektrische schok veroorzaken.
- **Houd de machine tijdens het werken stevig met beide handen vast aan de geïsoleerde handgrepen en blijf te allen tijde stevig op uw voeten en in evenwicht staan.** U kunt de machine steviger bedienen met beide handen. Verlies van controle kan persoonlijk letsel tot gevolg hebben.
- **Houd het elektrische gereedschap vast aan de geïsoleerde handgrepen wanneer u werkzaamheden uitvoert waarbij het accessoire in contact kan komen met verborgen bedrading of het eigen snoer.** Het accessoire dat bedrading raakt die onder spanning staat, kan onbedekte delen van het elektrisch gereedschap onder stroom zetten en de gebruiker een elektrische schok geven.
- **Schakel het gereedschap onmiddellijk uit wanneer het inzetstuk vastloopt. Wees voorbereid op een grote torsiekracht-reactie die terugslag kan veroorzaken.** Het inzetstuk van het gereedschap loopt vast wanneer:
  - het elektrisch gereedschap wordt overbelast of
  - bekneld raakt in het werkstuk.
- **Gebruik het gereedschap niet voor voedsel.** Elektrisch gereedschap en de bijbehorende accessoires zijn niet ontworpen voor de verwerking van voedsel.
- **Houd het snoer weg van het werkgebied.** Het snoer kan vast komen te zitten in de garde.
- **De mengcontainer moet geschikt zijn voor het mengen en moet stevig vast staan.** Een container die niet stevig vast staat kan zich ongecontroleerd verplaatsen.
- **Let erop dat er geen vloeistof tegen de behuizing van het elektrisch gereedschap kan spatten.** Vloeistof die in het elektrisch gereedschap is



gedrongen kan schade veroorzaken en een elektrische schok veroorzaken.

- **Volg de instructies en waarschuwingen in de Gegevensbladen materiaalveiligheid van de materialen die u gaat mengen.** Het te mengen materiaal kan schadelijk zijn.
- **Als de stroom uitvalt moet u de vergrendelingschakelaar loszetten door op de aan/uit-schakelaar te drukken.** Dit voorkomt dat het elektrisch gereedschap weer onbedoeld start (risico van letsel).
- **Gebruik het elektrisch gereedschap niet in een standaard.**

#### Elektrische veiligheid



*Controleer altijd of de spanning van de voedingstoevoer overeenkomt met de spanning op het typeplaatje.*

- Gebruik de machine niet indien het netsnoer of de netstekker zijn beschadigd.
- Gebruik uitsluitend verlengkabels die geschikt zijn voor het vermogen van de machine met een minimale dikte van 1,5 mm<sup>2</sup>. Indien u een verlengkabelhaspel gebruikt, rol dan altijd de kabel volledig uit.

## 2. TECHNISCHE INFORMATIE

#### Bedoeld gebruik

De machine is bedoeld voor het mengen van bouwmaterialen in poedervorm, zoals mortel, pleisterkalk, lijmmaterialen, en ook van oplosmiddelvrije verf en dergelijke stoffen. Onjuist gebruik kan het gereedschap beschadigen.

#### TECHNISCHE SPECIFICATIES

<b>Modelnr.</b>	<b>PM502AC</b>
Spanning	230-240V~
Frequentie	50Hz
Vermogen	1800W
Toerental onbelast	Stand 1 180-400/min Stand 2 300-700/min
Gereedschapshouder	M14
Menghulpstuk	Ø 140mm
Gewicht	4,45 kg
Geluidsdruk L <sub>PA</sub>	87,6+3 dB(A)

Geluidsvermogen L <sub>WA</sub>	98,6+3 dB(A)
Vibratie	5,187+1,5 m/s <sup>2</sup>

#### Trillingsniveau

Het trillingsemissieniveau, dat in deze gebruiksaanwijzing wordt vermeld, is gemeten in overeenstemming met een gestandaardiseerde test volgens EN 60745; deze mag worden gebruikt om twee machines met elkaar te vergelijken en als voorlopige beoordeling van de blootstelling aan trilling bij gebruik van de machine voor de vermelde toepassingen.

- Het gebruik van de machine voor andere toepassingen, of met andere of slecht onderhouden accessoires, kan het blootstellingsniveau aanzienlijk verhogen.
- Wanneer de machine is uitgeschakeld of wanneer deze loopt maar geen werk verricht, kan dit het blootstellingsniveau aanzienlijk reduceren.

Bescherm uzelf tegen de gevolgen van trilling door de machine en de accessoires te onderhouden, uw handen warm te houden en uw werkwijze te organiseren.

#### BESCHRIJVING

De nummers in de tekst verwijzen naar de diagrammen op pagina 2.

1. Aan/Uit-schakelaar
2. Knop voor vergrendeling in de Uit-stand
3. Stelknop snelheid
4. Schakelaar versnellingsselectie
5. Gereedschapshouder
6. Handgreep
7. Ventilatieopeningen
8. Stang van menggarde
9. Schoep van menggarde

## 3. ASSEMBLAGE

#### De tweedelige menggarde monteren (Fig. A)

1. Schroef de stang (8) aan de menggarde (9)
2. Zet beide delen stevig vast

#### De menggarde vervangen (Fig. A)



*Schakel voor assemblage altijd de machine uit en verwijder de netstekker uit het stopcontact.*

Gebruik alleen menggardes die de opgegeven diameter hebben. Gebruik altijd een menggarde die

geschikt is voor het te mengen/roeren materiaal. Wanneer u een ongeschikte menggarde gebruikt, kan dat de machine maar ook u onnodig belasten.

#### *De menggarde monteren*

1. Schroef de menggarde die u in elkaar hebt gezet zover mogelijk naar rechts, in de gereedschapshouder (5).
2. Zet de menggarde met de meegeleverde steeksleutel vast in de gereedschapshouder. U kunt dat doen door de gereedschapshouder (5) vast te houden met één van de meegeleverde steeksleutels en de gemonteerde menggarde met de tweede steeksleutel vast te zetten.

#### *De menggarde verwijderen*

1. Maak de gemonteerde menggarde los met de meegeleverde steeksleutel. U kunt dat doen door de gereedschapshouder (5) vast te houden met één van de meegeleverde steeksleutels en de gemonteerde menggarde met de tweede steeksleutel los te draaien.
2. Schroef de menggarde naar links los uit de gereedschapshouder (5).

## 4. BEDIENING

### **In- en uitschakelen (Fig. A)**

De Aan / Uit schakelaar (1) wordt gebruikt om de machine in te schakelen en de snelheid in te stellen.

- U kunt de machine starten door op de knop (2) voor vergrendeling de Uit-stand te drukken en ingedrukt te houden en op de Aan/Uit-schakelaar (1) te drukken.
- U kunt de machine uitschakelen door de Aan/Uit-schakelaar (1) los te laten.

### **Versnellingsselectie (Fig. B)**

U kunt twee versnellingen voor de mechanische snelheid selecteren met de schakelaar (4) voor de versnellingsselectie:

Stand 1	180-400/min
Stand 2	300-700/min

Welke snelheid u nodig hebt kunt u het beste vaststellen door het in de praktijk uit te proberen, het hangt van het type materiaal dat wordt gemengd.

### **Snelheid instellen (Fig. B)**

De gewenste snelheid kan worden afgesteld met de snelheid-afstelknop (3). De snelheid kan ook tijdens gebruik worden aangepast.

- Verhoog de snelheid door de snelheidsafstelknop (3) naar rechts te draaien.
- Verlaag de snelheid door de snelheidsafstelknop (3) naar links te draaien.

De benodigde snelheid is afhankelijk van het materiaal en kan door middel van een zaagttest worden vastgesteld.

### **Optimaal gebruik**

- Voor materialen met een lage viscositeit, bijv. emulsieverf, lakken, lijmen, gietbeton en vloeibare cement krijgt u een optimaal resultaat met een roergarde met een zogeheten linkse spiraal. Met een linkse spiraal wordt het materiaal van boven naar beneden verplaatst en wordt de roergarde omhoog geduwd. Materialen met een lage viscositeit worden zo gemengd dat spatten zoveel mogelijk worden voorkomen, dus u kunt het beste een lage snelheid gebruiken (snelheid 1).
- Voor materialen met een hoge viscositeit, bijv. pleisterkalk, beton, cement, materiaal voor een dekvloer, vulmaterialen en epoxyhars krijgt u een optimaal resultaat met een roergarde met een zogeheten rechtse spiraal. Met een rechtse spiraal wordt het materiaal van beneden naar boven verplaatst en wordt de roergarde omlaag geduwd. (werkt zichzelf omlaag in het mengsel). Materialen met een hoge viscositeit worden grondig gemengd, dus u kunt het beste een hoge snelheid gebruiken (snelheid 2).
- U krijgt het beste resultaat door het elektrisch gereedschap tijdens het mengen op en neer te bewegen.
- Aanbevolen wordt de menggarde na gebruik schoon te maken, bijvoorbeeld door de garde in een emmer water te laten draaien.

## 5. ONDERHOUD



*Zorg dat de machine niet onder spanning staat wanneer onderhoudswerkzaamheden aan het mechaniek worden uitgevoerd.*

Reinig de machinebehuizing regelmatig met een zachte doek, bij voorkeur iedere keer na gebruik. Zorg dat de ventilatiesleuven vrij van stof en vuil

zijn. Gebruik bij hardnekkig vuil een zachte doek bevochtigd met zeepwater. Gebruik geen oplosmiddelen als benzine, alcohol, ammonia, etc. Dergelijke stoffen beschadigen de kunststof onderdelen.

## MILIEU



*Defecte en/of afgedankte elektrische of elektronische gereedschappen dienen ter verwerking te worden aangeboden aan een daarvoor verantwoordelijke instantie.*

### Uitsluitend voor EG-landen

Werp elektrisch gereedschap niet weg bij het huisvuil. Conform de Europese Richtlijn 2012/19/EG voor Afgedankte Elektrische en Elektronische Apparatuur en de implementatie ervan in nationaal recht moet niet langer te gebruiken elektrisch gereedschap gescheiden worden verzameld en op een milieuvriendelijke wijze worden verwerkt.

## GARANTIE

VONROC producten zijn ontworpen volgens de hoogste kwaliteitsstandaarden en gegarandeerd vrij van defecten, zowel materieel als fabrieksfouten, tijdens de wettelijk vastgestelde garantieperiode vanaf de eerste aankoopdatum. Mocht het product tijdens deze periode gebreken vertonen veroorzaakt door defecte materialen en/of fabrieksfouten, neem dan rechtstreeks contact op met VONROC.

De volgende situaties vallen niet onder de garantie:

- Er zijn reparaties of aanpassingen aan de machine uitgevoerd, of er is een poging daartoe ondernomen, door een nietgeautoriseerd servicecentrum.
- Normale slijtage.
- De machine is misbruikt, verkeerd gebruikt of slecht onderhouden.
- Er zijn niet-originele reserveonderdelen gebruikt

Dit vormt de enige garantie opgesteld door het bedrijf zowel expliciet als impliciet. Er bestaan geen andere garanties expliciet of impliciet welke verder gaan dan deze garantie, inclusief impliciete garanties van verkoopbaarheid en geschiktheid voor bepaalde doeleinden. In geen enkel geval kan VONROC aansprakelijk worden gesteld voor incidentele schade of gevolgschade. Reparaties van dealers zijn gelimiteerd tot de reparatie of vervanging van defecte producten of onderdelen.

**Het product en de gebruikershandleiding zijn onderhevig aan wijzigingen. Specificaties kunnen zonder opgaaf van redenen worden gewijzigd.**

## 1. CONSIGNES DE SÉCURITÉ

En plus des avertissements de sécurité suivants, veuillez également lire les avertissements de sécurité additionnels ainsi que les instructions. Le non-respect des avertissements de sécurité et des instructions peut entraîner une décharge électrique, un incendie et/ou des blessures graves. Veuillez conserver les avertissements de sécurité et les instructions pour consultation ultérieure.

Les symboles suivants sont utilisés dans le manuel d'utilisation ou apposés sur le produit:



*Lisez le manuel d'utilisation.*



*Signale un risque de blessures, un danger mortel ou un risque d'endommagement de l'outil en cas de non-respect des instructions de ce manuel.*



*Risque d'électrocution.*



*Variateur électronique de vitesse.*



*Portez des lunettes de protection.  
Portez une protection auditive.*



*Portez un masque anti-poussière.*



*Machine de classe II - Double isolation -  
Vous n'avez pas besoin de prise avec mise à la terre.*



*Le produit est conforme aux normes de sécurité applicables des directives européennes.*

### CONSIGNES GÉNÉRALES DE SÉCURITÉ



**AVERTISSEMENT! Veuillez lire l'intégralité des avertissements de sécurité et des instructions.** Le non-respect de toutes les instructions indiquées cidessous peut entraîner un risque de choc électrique, d'incendie et/ou de blessures graves.

#### Conservez ces instructions.

Le terme "appareil électrique" mentionné dans tous les avertissements cidessous se rapporte à un appareil électrique qui se branche au réseau électrique (grâce à un câble d'alimentation) ou à un

appareil électrique (sans fil) fonctionnant grâce à une batterie.

#### 1) Espace de travail

- a) **Veillez toujours à garder votre espace de travail propre et bien éclairé.** Les espaces mal rangés et sombres peuvent être la cause d'accidents.
- b) **N'utilisez pas les appareils électriques dans des environnements susceptibles d'explosion, par exemple en présence de liquides inflammables, de gaz ou de particules.** Les appareils électriques provoquent des étincelles qui peuvent enflammer les particules des émanations.
- c) **Veillez à garder éloignés les enfants et les personnes se trouvant dans votre voisinage, lors de l'utilisation d'un appareil électrique.** Les distractions peuvent vous faire perdre le contrôle de l'appareil.

#### 2) Mesures de sécurité électriques

- a) **Les prises des appareils électriques doivent être raccordées à la prise murale correspondante. Ne modifiez jamais la prise de l'appareil, de quelque façon que ce soit. N'utilisez pas d'adaptateurs qui mettent les appareils électriques à la terre (mise à la masse).** Des prises non modifiées et branchées à la prise murale correspondante réduiront les risques de choc électrique.
- b) **Évitez le contact direct avec les surfaces mises à la terre ou mises à la masse comme les canalisations, les radiateurs, les cuisinières et les réfrigérateurs.** En effet, le risque de choc électrique s'accrut si votre corps est mis à la terre ou à la masse.
- c) **N'utilisez pas d'outils électriques dans des environnements pluvieux ou humides.** Si de l'eau s'introduit dans un appareil électrique, le risque de choc électrique augmentera.
- d) **N'utilisez pas le câble de manière abusive. N'utilisez jamais le câble pour transporter, tirer ou débrancher l'appareil électrique. Veillez à garder le câble éloigné des sources de chaleur, des huiles, des rebords coupants ou des pièces actionnées.** Les câbles endommagés ou entremêlés augmentent le risque de choc électrique.
- e) **Lorsqu'un appareil est utilisé à l'extérieur, utilisez uniquement un câble prolongateur**

- prévu à cet effet.** L'utilisation d'un câble à usage extérieur réduit le risque de choc électrique.
- f) **Si vous êtes contraint d'utiliser un outil électrique dans un environnement humide, utilisez une alimentation protégée par un dispositif à courant résiduel (RCD).** L'utilisation d'un RCD réduit le risque de décharge électrique.
- 3) Sécurité personnelle**
- a) **Restez vigilant, gardez un œil sur ce que vous faites et utilisez votre sens commun lors de l'utilisation d'un appareil électrique. N'utilisez pas un appareil électrique si vous êtes fatigué ou si vous êtes sous l'influence de drogues, d'alcool ou si vous prenez des médicaments.** Un moment d'inattention lors de l'utilisation des appareils électriques peut entraîner des blessures graves.
- b) **Utilisez un équipement de protection personnelle. Protégez-vous toujours les yeux.** Les équipements de protection, tels qu'un masque à poussière, des chaussures antidérapantes, des protections auditives ou un casque de sécurité, utilisés dans de bonnes conditions, réduiront le risque de blessures.
- c) **Prévenez tout démarrage involontaire. Assurez-vous que l'interrupteur est sur la position "arrêt avant de brancher l'appareil.** En effet, le transport des appareils électriques en gardant vos doigts sur l'interrupteur, ou le branchement de ces appareils en ayant l'interrupteur sur "marche accidents.
- d) **Retirez les clés de réglage ou les clés de vis de réglage avant d'allumer l'appareil électrique.** Une clé de vis de réglage ou une clé, laissée sur une pièce en mouvement de l'appareil électrique, peut entraîner des lésions corporelles.
- e) **Ne pas se précipiter. Gardez toujours vos pieds à plat et gardez votre équilibre.** Ceci permet de mieux contrôler l'appareil électrique dans des situations imprévues.
- f) **Habilitez-vous convenablement. Ne portez pas de vêtements lâches ou de bijoux. Gardez vos cheveux, vêtements et gants éloignés des pièces actionnées.** En effet, ces derniers peuvent être pris dans les pièces en action.
- g) **Si les appareils sont fournis pour la connexion des équipements d'évacuation et de récupération de la poussière, assurez-vous que ces derniers soient correctement connectés et utilisés.** L'utilisation de ces appareils peut réduire les risques liés à la poussière.
- h) **Ne pensez pas être familiarisé avec l'outil après l'avoir utilisé à de nombreuses reprises, au point de ne plus rester vigilant et d'en oublier les consignes de sécurité.** Toute action imprudente peut engendrer de graves blessures en une fraction de seconde.
- 4) Utilisation et entretien d'un appareil électrique**
- a) **Ne forcez pas l'appareil électrique. Utilisez l'appareil électrique adéquat pour votre application.** Un appareil électrique correctement choisi assurera un meilleur travail et un travail sans danger, au rythme auquel il a été conçu.
- b) **N'utilisez pas l'appareil électrique si l'interrupteur marche/arrêt ne fonctionne pas.** Un appareil électrique qui ne peut pas être commandé par l'interrupteur de contrôle est dangereux et doit être réparé.
- c) **Débranchez la prise du bloc d'alimentation avant d'effectuer des réglages, de changer des accessoires, ou de ranger les appareils électriques.** Ces mesures de sécurité préventives réduiront le risque de démarrage involontaire de l'appareil électrique.
- d) **Rangez les appareils électriques arrêtés hors de la portée des enfants et ne laissez aucune personne, non familiarisée avec l'outil ou ces instructions, utiliser l'appareil électrique.** Les appareils électriques sont dangereux entre les mains d'utilisateurs non formés.
- e) **Entretenez les appareils électriques. Vérifiez tout défaut d'alignement et l'enchaînement des pièces actionnées, la rupture de ces dernières, et les autres conditions qui peuvent affecter le fonctionnement des appareils électriques. En cas de dommages, faites réparer l'appareil électrique avant de le réutiliser.** Nombreux sont les accidents provoqués par des appareils électriques mal entretenus.
- f) **Veillez à garder les outils coupants aiguisés et propres.** Des outils coupants correctement entretenus avec des lames aiguisées sont moins susceptibles de se bloquer et sont plus faciles à contrôler.
- g) **Utilisez l'appareil électrique, les accessoires et les embouts, etc., conformément à ces instructions et de la manière prévue pour le type spécifique de l'appareil électrique, en prenant en compte les conditions de travail et le travail à effectuer.** L'utilisation de l'appareil électrique dans des

applications différentes de celles prévues peut entraîner des situations dangereuses.

- h) **Gardez les poignées et les surfaces de préhension sèches, propres et exemptes d'huile et de graisse.** Des poignées et des surfaces de préhension glissantes ne permettent pas de manipuler et de contrôler l'outil correctement en cas de situations inattendues.
  - h) **Gardez les poignées et les surfaces de préhension sèches, propres et exemptes d'huile et de graisse.** Des poignées et des surfaces de préhension glissantes ne permettent pas de manipuler et de contrôler l'outil correctement en cas de situations inattendues.
- 5) **Utiliser et soigner les outils à batterie**
- a) **Rechargez la batterie uniquement avec le chargeur spécifié par le fabricant.** Un chargeur adapté à une certaine batterie peut être cause de danger d'incendie quand on l'utilise avec une batterie différente.
  - b) **Utilisez chaque outil uniquement avec la batterie conçue pour lui.** L'utilisation de toute autre batterie peut être cause de danger de blessure ou d'incendie.
  - c) **Lorsque une batterie n'est pas en usage, gardez-la hors d'atteinte d'objets métalliques tels que les trombones, pièces de monnaie, clés, clous, vis et autres petits objets métalliques pouvant faire le contact entre une borne et l'autre.** Un court-circuit entre les bornes de la batterie peut être cause de brûlures ou d'incendie.
  - d) **Dans des circonstances extrêmes, du liquide peut gicler hors de la batterie ; évitez tout contact. En cas de contact accidentel, rincez à l'eau. En cas de contact du liquide avec les yeux, consultez un médecin.** Le liquide qui gicle d'une batterie peut causer irritations ou brûlures.
  - e) **N'utilisez pas un bloc-batterie ou un outil endommagé ou modifié.** Une batterie endommagée ou altérée peut avoir un comportement imprévisible qui peut conduire à un incendie, une explosion ou un risque de blessure.
  - f) **N'exposez pas le bloc-batterie ou l'outil au feu ou à des températures excessives.** L'exposition au feu ou à des températures dépassant 130 °C peut provoquer une explosion. REMARQUE La température de "130°C" peut être remplacé par la température de "265°F".
  - g) **Respectez les instructions pour la charge et ne rechargez pas le bloc-batterie ou l'outil**

**à une plage de températures hors de celle spécifiée dans les instructions.** Une charge mal effectuée ou à des températures hors de la plage spécifiée peut endommager la batterie et augmente le risque d'incendie.

## 6) Maintenance

- a) **L'entretien de votre outil électrique doit être confié à un réparateur qualifié qui utilise uniquement des pièces de rechange identiques aux pièces d'origine.** Cela permet d'assurer la sécurité de l'outil électrique.
- b) **Ne réparez jamais des blocs-batteries endommagés.** Les réparations sur les blocs-batteries ne doivent être effectuées que par le fabricant ou l'un de ses prestataires de services agréés.

## AVERTISSEMENTS DE SÉCURITÉ ADDITIONNELS

- **Serrez fermement la pale de mélange et retirez la clé avant de démarrer la machine.**
- **N'utilisez pas l'outil électrique dans des substances explosives (solvants facilement inflammables par exemple).** Les outils électriques produisent des étincelles qui peuvent enflammer les vapeurs.
- **Si l'outil électrique chute dans la matière à mélanger, débranchez immédiatement la prise et faites contrôler l'outil électrique par un agent de service après vente.** Toute substance qui pénètre dans l'outil électrique peut provoquer des dommages et engendrer un choc électrique.
- **Tenez fermement la machine à deux mains par ses surfaces de préhension isolées pendant l'utilisation et assurez-vous de garder en permanence votre équilibre et une bonne posture.** La machine est plus facile à guider de façon sûre à deux mains. Toute perte de contrôle peut provoquer des blessures.
- **Tenez l'outil électrique par les surfaces de préhension isolées prévues à cet effet pendant les opérations au cours desquelles l'accessoire pourrait entrer en contact avec des fils électriques cachés ou son propre cordon.** Tout contact de l'accessoire avec un fil sous tension peut mettre les parties métalliques exposées de l'outil sous tension et provoquer un choc électrique à l'utilisateur.
- **Éteignez immédiatement l'outil électrique si la pale se coince. Restez prêt à réagir à un couple de réaction élevé qui pourrait provoquer un rebond.** La pale de l'outil se coince si:

- l'outil électrique est sur-sollicité ou
- s'il reste coincé dans le mélange
- **Ne mélangez pas de nourriture.** Les outils électriques et leurs accessoires ne sont pas conçus pour le contact avec des aliments.
- **Éloignez le cordon électrique de la zone de travail.** Le cordon pourrait sinon être happé par le fouet du mélangeur.
- **Le contenant servant au mélange doit être adapté à ce type d'opérations et être stable.** Un contenant mal sécurisé peut bouger de façon incontrôlée.
- **Assurez-vous qu'aucun liquide ne soit aspergé sur le corps de l'outil électrique.** Tout liquide qui pénètre dans l'outil électrique peut provoquer des dommages et engendrer un choc électrique.
- **Respectez les consignes et les avertissements de la fiche de données de sécurité (FDS) de la matière à mélanger.** La substance devant être mélangée peut être nocive.
- **En cas de coupure de courant, déverrouillez le bouton de verrouillage en appuyant sur l'interrupteur Marche/Arrêt.** Cela permet d'empêcher tout redémarrage intempestif de l'outil électrique (risque de blessure).
- **N'utilisez pas l'outil électrique dans un support.**

#### Sécurité électrique



*Vérifiez que la tension d'alimentation correspond à la tension nominale indiquée sur la plaque signalétique.*

- N'utilisez pas la machine si le câble secteur ou la fiche secteur est endommagé.
- Utilisez uniquement des rallonges adaptées à la puissance nominale de la machine et d'une section minimum de 1,5 mm<sup>2</sup>. Si vous utilisez une bobine de rallonge, déroulez toujours complètement le câble.

## 2. INFORMATIONS RELATIVES A LA MACHINE

#### Utilisation prévue

La machine est prévue pour mélanger des matériaux de construction en poudre comme le mortier, le plâtre, les adhésifs et les peintures, vernis et autres substances similaires sans solvants. Toute utilisation incorrecte peut endommager l'outil.

### SPÉCIFICATIONS TECHNIQUES

N° de modèle	PM502AC
Tension	230-240V~
Fréquence	50Hz
Puissance	1800W
Vitesse à vide	1e Vitesse 2e Vitesse
	180-400/min 300-700/min
Porte-outil	M14
Diam. du mélangeur	Ø 140 mm
Poids	4,45 kg
Pression acoustique L <sub>PA</sub>	87,6+3 dB(A)
Puissance acoustique L <sub>WA</sub>	98,6+3 dB(A)
Vibration	5,187+1,5 m/s <sup>2</sup>

#### Niveau de vibrations

Le niveau des vibrations émises, indiqué dans ce manuel, a été mesuré conformément à la procédure décrite par la norme EN60745. Il peut être utilisé pour comparer deux outils ou pour réaliser une estimation préalable de l'exposition aux vibrations lors de l'utilisation de l'outil pour les applications mentionnées.

- L'utilisation de l'outil dans d'autres applications ou avec des accessoires différents ou mal entretenus peut considérablement augmenter le niveau d'exposition.
- La mise hors tension de l'outil et sa non-utilisation pendant qu'il est allumé peuvent considérablement réduire le niveau d'exposition.

Protégez-vous contre les effets des vibrations par un entretien correct de l'outil et de ses accessoires, en vous échauffant les mains et en organisant vos rythmes de travail.

#### DESCRIPTION

Les numéros dans le texte se rapportent aux schémas de la page 2.

1. Interrupteur Marche/Arrêt
2. Bouton de déverrouillage
3. Mollette de réglage de la vitesse
4. Commutateur sélecteur de boîte de vitesse
5. Porte-outil
6. Poignée
7. Orifice d'aération
8. Tige du fouet
9. Pale du fouet

### 3. MONTAGE

#### Assembler le fouet en deux parties (Fig. A)

1. Vissez la tige du fouet (8) sur la pale (9)
2. Serrez fermement les deux pièces

#### Remplacer le fouet (Fig. A)



*Avant le montage, mettez toujours la machine hors tension et débranchez la fiche de la prise secteur.*

N'utilisez que des fouets du diamètre spécifié. Utilisez toujours un fouet adapté à la matière à mélanger. L'utilisation d'un accessoire mélangeur inadapté sur-sollicite inutilement la machine et vous-même.

#### Installer le fouet

1. Vissez le fouet assemblé dans le porte-outil (5) dans le sens des aiguilles d'une montre aussi loin que possible.
2. Serrez le fouet sur le porte-outil à l'aide des clés fournies. Pour ce faire, tenez le porte-outil (5) à l'aide d'une des clés fournies et utilisez la deuxième clé pour serrer le fouet assemblé.

#### Retirer le fouet

1. Desserrez le fouet assemblé à l'aide des clés fournies. Pour ce faire, tenez le porte-outil (5) à l'aide d'une des clés fournies et utilisez la deuxième clé pour desserrer le fouet assemblé.
2. Dévissez le fouet du porte-outil (5) dans le sens inverse des aiguilles d'une montre.

### 4. FONCTIONNEMENT

#### L'interrupteur MARCHE/ARRÊT (Fig. A)

L'interrupteur marche/arrêt (1) permet d'activer la machine et de régler la vitesse.

- Pour démarrer la machine, maintenez le bouton de déverrouillage (2) enfoncé et appuyez sur l'interrupteur Marche/Arrêt (1).
- Pour éteindre la machine, relâchez l'interrupteur Marche/Arrêt (1).

#### Sélectionner la Vitesse mécanique (Fig. B)

Deux plages de vitesse mécanique peuvent être sélectionnées grâce au sélecteur de boîte de vitesse (4):

Vitesse 1	180-400/min
Vitesse 2	300-700/min

La vitesse nécessaire dépend du type de la matière à mélanger et il est recommandé de vérifier par un test pratique.

#### Réglage de la Vitesse (Fig. A)

La vitesse requise peut être réglée à l'aide du bouton de réglage de la vitesse (3). La vitesse de rotation peut également être réglée pendant le fonctionnement.

- Afin d'augmenter la vitesse, tournez le bouton de réglage de la vitesse (3) dans le sens des aiguilles d'une montre.
- Afin de diminuer la vitesse, tournez le bouton de réglage de la vitesse (3) dans le sens inverse des aiguilles d'une montre.

La vitesse requise dépend de la matière de la pièce et elle peut être définie après des tests pratiques.

#### Utilisation optimale

- Pour les matières à faible viscosité, comme les émulsions de peintures, les vernis, les adhésifs, les composés de scellement et les coulis de ciment par exemple, un fouet mélangeur avec spirale à gauche est recommandé pour optimiser l'intervention. La spirale à gauche permet de déplacer la matière du haut vers le bas alors que le fouet mélangeur est propulsé vers le haut. Les matières à faible viscosité sont mélangées de façon à minimiser les éclaboussures et une vitesse faible est donc recommandée (vitesse 1).
- Pour les matières à haute viscosité, comme le plâtre, le béton, le ciment, les matériaux de remplissage et les résines Epoxy par exemple, un fouet mélangeur avec spirale à droite est recommandé pour optimiser l'intervention. La spirale à droite permet de déplacer la matière du bas vers le haut alors que le fouet mélangeur est enfoncé vers le fond (il trouve son chemin à travers la matière). Les matières à haute viscosité doivent être mélangées en profondeur et une vitesse rapide est donc recommandée (vitesse 2).
- Pour optimiser le résultat, déplacez l'outil électrique de haut en bas pendant le mélange.
- Il est recommandé de nettoyer le fouet après chaque utilisation, en le faisant fonctionner dans un seau plein d'eau par exemple.



## 5. ENTRETIEN



*Si vous voulez procéder à des travaux d'entretien sur le mécanisme, mettez la machine hors secteur.*

Nettoyez le corps de la machine régulièrement au moyen d'un chiffon doux, de préférence après chaque utilisation. Vérifiez que les ouvertures d'aération ne sont pas obstruées ni sales. Utilisez un chiffon doux légèrement humidifié avec de la mousse de savon pour nettoyer les taches persistantes. N'utilisez pas de produits de nettoyage tels que l'essence, l'alcool, l'ammoniac, etc.; ces produits peuvent endommager les parties synthétiques.

## ENVIRONNEMENT



*Les équipements électroniques ou électriques défectueux ou destinés à être mis au rebut doivent être déposés aux points de recyclage appropriés.*

### Uniquement pour les pays de l'UE

Ne jetez pas les outils électriques avec les déchets domestiques. Selon la Directive européenne 2012/19/CE relative aux déchets d'équipements électriques et électroniques et sa mise en œuvre dans le droit national, les outils électriques hors d'usage doivent être collectés séparément et mis au rebut de manière écologique.

## GARANTIE

Les produits VONROC sont développés aux plus hauts standards de qualité et ils sont garantis contre les défauts de pièces et de main d'oeuvre pendant la durée légale stipulée à partir de la date d'achat d'origine du produit. En cas d'une quelconque panne du produit pendant cette durée qui serait due à un défaut matériel et/ou de main d'oeuvre, contactez directement VONROC.

Les circonstances suivantes ne sont pas prises en charge par la garantie:

- Des réparations ou altérations ont été effectuées ou tentées sur la machine par un centre de réparation non agréé.
- L'usure normale.
- L'outil a été maltraité, mal utilisé ou mal entretenu.
- Des pièces détachées non d'origine ont été utilisées

Ceci constitue l'unique garantie accordée par la société explicitement ou implicitement. Il n'existe aucune autre garantie, explicite ou implicite, qui peut s'étendre au delà du contenu ici présent, y compris les garanties marchandes ou d'adaptation à des fins particulières. En aucun cas VONROC ne sera tenu responsable de dommages accidentels ou consécutifs. Les solutions proposées par les revendeurs devront se limiter à la réparation ou le remplacement des éléments ou pièces non conformes.

**Le produit et le manuel d'utilisation sont sujets à modifications. Les spécifications peuvent changer sans préavis.**

## 1. INSTRUCCIONES DE SEGURIDAD

Lea las advertencias de seguridad, las advertencias de seguridad adicionales y las instrucciones adjuntas. De no respetarse las advertencias de seguridad y las instrucciones, podrían producirse descargas eléctricas, incendios y/o lesiones graves. Conserve las advertencias de seguridad y las instrucciones para su posterior consulta.

Los siguientes símbolos se utilizan en el manual de usuario o en el producto:



*Lea el manual de usuario.*



*Denota riesgo de lesiones personales, pérdida de vida o daños a la herramienta en caso de incumplimiento de las instrucciones del presente manual.*



*Riesgo de choque eléctrico.*



*Velocidad electrónica variable.*



*Lleve gafas de seguridad. Lleve protección auditiva.*



*Lleve una máscara antipolvo.*



*Máquina de clase II - Doble aislamiento - No necesita enchufe con puesta a tierra.*



*El producto es conforme con las normas de seguridad vigentes en las Directivas Europeas.*

### INSTRUCCIONES GENERALES DE SEGURIDAD



**PRECAUCIÓN!** *Lea todas las advertencias de seguridad y todas las instrucciones. Si no lo hace, el uso indebido puede acarrear cortocircuitos, fuego o lesiones graves.*

#### Conserve estas instrucciones.

El término "herramienta eléctrica", en todas las advertencias enumeradas a continuación se refiere a su herramienta eléctrica (i nalámbrica) que funciona con una batería o a través de la red eléctrica.

- 1) **Área de trabajo**
  - a) **Trabaje en un lugar limpio y bien iluminado.** Lugares no iluminados o sucios propician accidentes.
  - b) **No use herramientas eléctricas donde haya riesgo de fuego o explosión, p.ej: cerca de líquidos o gases inflamables, polvo etc.** Las herramientas eléctricas producen chispas que pueden producir la ignición de partículas de humo.
  - c) **Mantenga a los niños y otras personas alejados mientras utiliza la herramienta eléctrica.** Las distracciones pueden hacer que pierda el control de la herramienta.
- 2) **Seguridad eléctrica**
  - a) **Cerciórese de que las clavijas de la herramienta eléctrica están correctamente enchufadas. Nunca modifique la clavija. No utilice ningún adaptador para la clavija de una herramienta eléctrica con conexión a tierra.** Las clavijas que no se hayan cambiado y los enchufes adecuados reducen el riesgo de cortocircuitos.
  - b) **Evite el contacto humano con conexiones a tierra como tubos metálicos, conductos, tubos de la calefacción, radiadores y refrigeradores.** El riesgo de cortocircuitos es mayor cuando el cuerpo está en contacto con el suelo.
  - c) **No use herramientas eléctricas bajo la lluvia o en entornos húmedos.** Si entra agua en una herramienta eléctrica aumenta el riesgo de cortocircuito.
  - d) **No utilice el cable para todo. Nunca utilice el cable para mover la máquina, empujarla o sacar la clavija del enchufe. Mantenga el cable alejado del calor, aceite, zonas cortantes o piezas en movimiento.** Los cables dañados o enredados aumentan el riesgo de cortocircuito.
  - e) **Use un cable alargador impermeable adecuado para exteriores cuando trabaje con la herramienta eléctrica al aire libre.** El riesgo de cortocircuito es menor si utiliza un cable alargador adecuado para exteriores.
  - f) **Si no se puede evitar el uso de la herramienta eléctrica en un lugar húmedo, use suministro protegido mediante dispositivo diferencial residual (DDR).** El uso de un DDR reduce el riesgo de choque eléctrico.
  - h) **No permita que la familiaridad adquirida con el uso frecuente de las herramientas le haga**

**confiarse e ignorar los principios de seguridad de las herramientas.** Una acción descuidada puede causar lesiones graves en una fracción de segundo.

### 3) Seguridad personal

- a) **No se descuide, preste atención a lo que está haciendo y utilice el sentido común mientras trabaje con esta herramienta. No use herramientas eléctricas cuando esté cansado o esté bajo los efectos del alcohol, las drogas o los medicamentos.** Un momento de distracción, mientras utilice la herramienta eléctrica, puede provocar lesiones personales graves.
  - b) **Use equipo de protección individual. Use siempre gafas protectoras.** El uso en condiciones apropiadas del equipo de seguridad como por ejemplo: mascarilla antipolvo, zapatos antideslizantes de seguridad, casco o protección para los oídos, disminuye el riesgo de sufrir lesiones personales.
  - c) **Evite arranques involuntarios. Asegúrese de que el interruptor está en la posición de apagado antes de conectarlo a la fuente de electricidad.** Transportar herramientas eléctricas con el dedo puesto sobre el interruptor o enchufarlas con el interruptor encendido puede causar accidentes.
  - d) **Quite cualquier llave de ajuste antes de encender la herramienta eléctrica.** Una llave olvidada junto a una pieza móvil de la herramienta eléctrica puede provocar lesiones personales graves.
  - e) **No se estire demasiado. Mantenga siempre el equilibrio y tenga los pies en el suelo.** Esto permite un mayor control de la herramienta eléctrica en situaciones inesperadas.
  - f) **Vístase apropiadamente. No lleve prendas holgadas o joyas. Mantenga su pelo, ropa y guantes alejados de las piezas móviles.** Las prendas holgadas, las joyas y el pelo largo pueden quedar atrapados en las piezas móviles.
  - g) **Si se han suministrado dispositivos para la extracción y recogida de polvo asegúrese de que estos estén conectados y se utilicen correctamente.** El uso de estos dispositivos puede reducir los riesgos relacionados con el polvo.
  - h) **Mantenga las asas y las superficies de agarre secas, limpias y libres de aceite y grasa.** Las asas y las superficies de agarre resbaladizas no permiten un manejo y control seguros de la herramienta en situaciones inesperadas.
- 4) **Utilización y cuidados de la herramienta eléctrica**
    - a) **No fuerce la herramienta eléctrica. Utilice la herramienta eléctrica adecuada para el trabajo que vaya a realizar.** Una herramienta eléctrica apropiada realizará un trabajo mejor y más seguro si se utiliza para el objetivo con el que ha sido diseñada.
    - b) **No use herramientas que no pueden encenderse o apagarse con el interruptor.** Las herramientas que ya no se puedan encender y apagar son peligrosas y deben repararse.
    - c) **Desenchufe la clavija de la toma de electricidad antes de realizar modificaciones, cambiar accesorios o guardar las herramientas eléctricas.** Tales medidas de seguridad preventivas reducen el riesgo de la puesta en marcha accidental.
    - d) **Mantenga a los niños alejados de una herramienta eléctrica sin utilizar y no permita a personas que no estén familiarizadas con la máquina o estas instrucciones utilizar la herramienta.** La herramienta eléctrica puede ser peligrosa cuando la utilicen personas sin experiencia.
    - e) **Conserve sus herramientas cuidadosamente. Verifique cualquier desalineación o agarrotamiento de piezas móviles, piezas dañadas y cualquier otra causa, que pudiera repercutir en el buen funcionamiento de la herramienta eléctrica. Si la herramienta está estropeada, repárela antes de utilizarla.** Muchos de los accidentes están causados por un mantenimiento insuficiente del equipo eléctrico.
    - f) **Mantenga las herramientas de corte limpias y afiladas.** Sierras con esquinas cortantes con un buen mantenimiento se bloquean menos y son más fáciles de controlar.
    - g) **Utilice la herramienta eléctrica, accesorios y brocas etc. Siguiendo las instrucciones atendiendo al tipo de herramienta eléctrica y tenga en cuenta las condiciones de trabajo y el tipo de trabajo que se va a realizar.** Puede ser peligroso realizar trabajos con la herramienta diferentes de aquellos para los que está diseñada.
  - 5) **Uso y cuidado de las herramientas alimentadas por batería**
    - a) **Recargue las baterías únicamente con el cargador recomendado por el fabricante.** Un cargador que es apto para un tipo de baterías determinado puede provocar riesgo de incendio si se usa para cargar otra clase de baterías.

- b) **Use las herramientas eléctricas sólo con las baterías indicadas específicamente.** El uso de otra clase de baterías diferente puede ocasionar el riesgo de derivar en lesiones o un incendio.
- c) **Cuando el paquete de baterías no esté en uso, consérvelo retirado de objetos metálicos como sujetapapeles, monedas, llaves, clavos, tornillos o cualquier otro objeto metálico pequeño que pueda hacer puente entre las terminales.** El contacto entre las terminales de la batería puede causar quemaduras o incendio.
- d) **Bajo condiciones extremas de abuso la batería podría expulsar un líquido; evite todo contacto. Si se produjese contacto accidentalmente, lávese bien con agua. Si el líquido hace contacto con los ojos, consulte también al médico.** El líquido emanado de la batería puede causar irritaciones o quemaduras.
- e) **No utilice una batería o una herramienta que esté dañada o modificada.** Las baterías dañadas o modificadas pueden presentar un comportamiento impredecible y provocar un incendio, una explosión o riesgo de lesiones.
- f) **No exponga una batería o una herramienta al fuego o a temperatura excesiva.** La exposición al fuego o a temperaturas superiores a 130 °C puede provocar una explosión. NOTA: La temperatura "130 °C" puede sustituirse por la temperatura "265 °F".
- g) **Siga todas las instrucciones de carga y no cargue la batería o la herramienta fuera del rango de temperatura especificado en las instrucciones.** La carga incorrecta o a temperaturas fuera del rango especificado puede causar daños a la batería y aumentar el riesgo de incendio.
- 6) Servicio**
- a) **Haga reparar su herramienta eléctrica por una persona cualificada, usando solo piezas de repuesto idénticas.** Esto garantiza que se mantenga la seguridad de la herramienta eléctrica.
- b) **Nunca repare las baterías dañadas.** El mantenimiento de las baterías debe ser realizado solo por el fabricante o los proveedores de servicio autorizados

#### INSTRUCCIONES DE SEGURIDAD ADICIONALES

- **Apriete bien la paleta mezcladora y retire la llave de tuerca antes de poner en marcha la máquina.**
- **No utilice la herramienta eléctrica para materiales explosivos (p. ej., disolventes fácilmente inflamables).** Las herramientas eléctricas generan chispas que pueden provocar la ignición de los vapores.
- **En caso de caída de la herramienta eléctrica en el material que se vaya a agitar, desconéctela inmediatamente y solicite a un agente del servicio posventa que la revise.** Si el material penetra en la herramienta eléctrica, puede causar daños y provocar una descarga eléctrica.
- **Sujete bien la máquina con ambas manos por las superficies de agarre aisladas mientras trabaja y mantenga en todo momento el equilibrio con los pies firmemente apoyados.** La máquina se guía de modo más seguro con ambas manos. La pérdida de control puede causar lesiones.
- **Aferre la herramienta eléctrica solo por las superficies de agarre aisladas cuando realice alguna operación en la que el accesorio pueda entrar en contacto con cables ocultos o con el propio cable.** Si el accesorio entra en contacto con un cable bajo tensión, puede exponer las partes metálicas de la herramienta a tensión y ocasionar una descarga eléctrica al operador.
- **Apague inmediatamente la herramienta eléctrica si el inserto de la herramienta se atasca. Esté preparado para un par de reacción alto que puede causar un contragolpe.** El inserto de la herramienta se atasca cuando:
  - la herramienta está sometida a sobrecarga o
  - se atasca en la pieza de trabajo.
- **No mezcle alimentos.** Las herramientas eléctricas y sus accesorios no han sido diseñadas para procesar alimentos.
- **Mantenga el cable alejado de la zona de trabajo.** El cable puede enredarse en el agitador.
- **El recipiente de mezcla debe ser adecuado para la mezcla y debe estar sujeto en modo seguro.** Si el recipiente no está bien sujeto puede desplazarse sin control.
- **Asegúrese de que no haya salpicaduras de líquido en la carcasa de la herramienta eléctrica.** Si el líquido penetra en la herramienta eléctrica puede causar daños y provocar descargas eléctricas.
- **Siga las instrucciones y advertencias de las fichas de datos de seguridad del material (MSDS) del material a mezclar.** El material a mezclar puede ser perjudicial.
- **En caso de interrupción de la alimentación eléctrica, suelte el interruptor de bloqueo pulsando**

**el interruptor de encendido/apagado.** Esto evitará que la herramienta eléctrica vuelva a arrancar involuntariamente (riesgo de lesiones).

- **No use la herramienta eléctrica en un soporte.**

### Seguridad eléctrica



*Compruebe siempre que la tensión del suministro eléctrico corresponda con la tensión de la placa de características.*

- No utilice la máquina si el cable o el enchufe eléctrico han sufrido daños.
- Utilice únicamente cables alargadores que sean adecuados para la potencia nominal de la máquina con un grosor mínimo de 1,5 mm<sup>2</sup>. Si utiliza un cable alargador en rollo, desenrolle totalmente el cable.

## 2. INFORMACIÓN DE LA MÁQUINA

### Uso previsto

La máquina ha sido concebida para mezclar materiales de construcción pulverizados como mortero, yeso y adhesivos, y pinturas, barnices y sustancias similares sin disolventes. El uso inadecuado puede dañar la herramienta.

### ESPECIFICACIONES TÉCNICAS

<b>Modelo n.º</b>	<b>PM502AC</b>
Tensión de red	230-240V~
Frecuencia de red	50Hz
Entrada de alimentación	1800W
Velocidad sin carga	Velocidad 1 180-400/min Velocidad 2 300-700/min
Montaje de herramienta	M14
Batidor	Ø 140 mm
Peso	4,45 kg
Nivel de presión acústica L <sub>PA</sub>	87,6+3 dB(A)
Nivel de presión acústica L <sub>WA</sub>	98,6+3 dB(A)
Vibración	5,187+1,5 m/s <sup>2</sup>

### Nivel de vibración

El nivel de emisión de vibraciones indicado en este manual de instrucciones ha sido medido según una prueba estándar proporcionada en EN 60745; puede utilizarse para comparar una herramienta con otra y como valoración preliminar de la exposición

a las vibraciones al utilizar la herramienta con las aplicaciones mencionadas

- al utilizarla para distintas aplicaciones o con accesorios diferentes o con un mantenimiento deficiente, podría aumentar de forma notable el nivel de exposición
- en las ocasiones en que se apaga la herramienta o cuando está funcionando pero no está realizando ningún trabajo, se podría reducir el nivel de exposición de forma importante

Protéjase contra los efectos de la vibración realizando el mantenimiento de la herramienta y sus accesorios, manteniendo sus manos calientes y organizando sus patrones de trabajo.

### DESCRIPCIÓN

Los números del texto se refieren a los diagramas de las páginas 2.

1. Interruptor de encendido/apagado
2. Botón de desbloqueo
3. Botón de ajuste de velocidad
4. Interruptor de selección de velocidades
5. Portaherramienta
6. Empuñadura
7. Aberturas de ventilación
8. Varilla
9. Agitador

## 3. MONTAJE

### Montaje de las dos piezas de mezclar (Fig. A)

1. Enrosque la varilla (8) en el agitador (9)
2. Apriete bien las dos piezas

### Sustitución del batidor (Fig. A)



*Antes del montaje, apague siempre la máquina y extraiga el enchufe de la red de alimentación.*

Use solo batidores conformes al diámetro especificado. Utilice siempre un batidor que sea adecuado al material que vaya a mezclar/batir. Usar una varilla mezcladora inadecuada puede sobrecargar innecesariamente tanto la máquina como a usted mismo.

### Montar el batidor

1. Enrosque el batidor montado en el portaherramienta (5) al máximo en sentido horario.

2. Apriete el batidor en el portaherramienta utilizando las llaves suministradas. Para ello, mantenga firme el portaherramienta (5) utilizando una de las llaves suministradas, y con la segunda llave apriete el batidor ensamblado.

#### Extraer el batidor

1. Afloje el batidor montado usando las llaves suministradas. Para ello, mantenga firme el portaherramienta (5) utilizando una de las llaves suministradas, y con la segunda llave afloje el batidor ensamblado.
2. Desenrosque el batidor del portaherramienta (5) en sentido antihorario.

## 4. FUNCIONAMIENTO

### Interruptor de encendido y apagado ON/ OFF (Fig. A)

El interruptor de encendido / apagado (1) se utiliza para activar la máquina y ajustar la velocidad.

- Para encender la máquina, mantenga pulsado el botón de desbloqueo (2) y después pulse el interruptor de Encendido/Apagado (1).
- Para parar la máquina, suelte el interruptor de encendido/apagado (1).

### Selección de velocidad (Fig. B)

Se pueden seleccionar dos rangos de velocidad mecánica con el selector de velocidad (4):

Velocidad 1	180-400/min
Velocidad 2	300-700/min

La velocidad necesaria dependerá del tipo de material que se mezcla y se recomienda que la verifique realizando una prueba práctica.

### Ajuste de velocidad (Fig. B)

Puede ajustar la velocidad que desee usando el botón de ajuste de velocidad (3). La velocidad de rotación también puede ajustarse durante el funcionamiento.

- Para aumentar la velocidad, gire el botón de ajuste de velocidad (3) en sentido horario.
- Para reducir la velocidad, gire el botón de ajuste de velocidad (3) en sentido antihorario.

La velocidad requerida depende del material y puede establecerse mediante pruebas prácticas.

### Uso óptimo

- En caso de materiales de baja viscosidad, como pinturas en emulsión, barnices, adhesivos, mortero y lechada de cemento, para un uso óptimo, se recomienda un agitador con espiral a la izquierda. Con un espiral a la izquierda, el material se mueve desde arriba hacia abajo y el agitador es empujado hacia arriba. Los materiales de baja viscosidad se mezclan de forma tal que se minimizan las salpicaduras, por tanto se recomienda una velocidad baja (Velocidad 1).
- En caso de materiales de alta viscosidad, como yeso, hormigón, cemento, material de revestimiento, rellenos y resina epoxi, para un uso óptimo, se recomienda un agitador con espiral a la derecha. Con un espiral a la derecha, el material se mueve desde abajo hacia arriba y el agitador es tirado hacia abajo (hacia la mezcla). Los materiales de alta viscosidad se mezclan bien, por lo que se recomienda una velocidad alta (Velocidad 2).
- Para obtener óptimos resultados, mueva la herramienta eléctrica con un movimiento hacia arriba abajo mientras realiza la mezcla.
- Se recomienda limpiar el agitador después del uso, por ejemplo, removiéndolo en un cubo lleno de agua.

## 5. MANTENIMIENTO



*Desconecte siempre la máquina de la red eléctrica principal antes de realizar cualquier trabajo de mantenimiento.*

Limpie regularmente la carcasa de la máquina con un paño suave, preferentemente después de cada uso. Compruebe que los orificios de ventilación estén libres de polvo y suciedad. Elimine el polvo persistente utilizando un paño suave humedecido con agua y jabón. No use disolventes tales como gasolina, alcohol, amoníaco, etc. Tales productos químicos pueden dañar los componentes sintéticos.

## MEDIOAMBIENTE



*Los aparatos eléctricos o electrónicos defectuosos y/o desechados deben recogerse en lugares de reciclado apropiado.*

**Solo para países de la Comunidad Europea**

No elimine las herramientas eléctricas como residuos domésticos. De acuerdo con la Directiva europea 2012/19/CE sobre residuos de aparatos eléctricos y electrónicos, y su transposición a las legislaciones nacionales, las herramientas eléctricas que ya no se utilizan deben recogerse por separado y eliminarse en modo ecológico.

**CONDICIONES DE GARANTÍA**

Los productos VONROC han sido desarrollados con los más altos estándares de calidad y VONROC garantiza que están exentos de defectos relacionados con los materiales y la fabricación durante el periodo legalmente estipulado, a contar desde la fecha de compra original. En caso de que el producto presente defectos relacionados con los materiales y/o la fabricación durante este periodo, póngase directamente en contacto VONROC.

La presente garantía se excluye en los siguientes casos:

- Si centros de servicios no autorizados han realizado o han intentado realizar reparaciones y/o alteraciones a la máquina.
- Si se ha producido un desgaste normal.
- Si la herramienta ha sido mal tratada o usada en modo impropio, o se ha realizado incorrectamente su mantenimiento.
- Si se han utilizado piezas de repuesto no originales.

La presente constituye la única garantía implícita y explícita que ofrece la compañía. No existen otras garantías explícitas o implícitas que excedan las citadas aquí, incluidas las garantías implícitas de comerciabilidad e idoneidad para una finalidad en especial. VONROC no será considerada responsable en ningún caso por daños incidentales o consecuentes. Los recursos a disposición de los distribuidores se limitan a la reparación o a la sustitución de las unidades o piezas no conformes.

**El producto y el manual de usuario están sujetos a variaciones. Las especificaciones pueden variarse sin previo aviso.**

**1. ISTRUZIONI DI SICUREZZA**

Leggere accuratamente gli avvisi di sicurezza, gli avvisi di sicurezza aggiuntivi e le istruzioni. La mancata osservanza degli avvisi di sicurezza e delle istruzioni potrebbe causare scosse elettriche, incendio e/o gravi lesioni. Mantenere gli avvisi di sicurezza e le istruzioni a portata di mano per future consultazioni.

I seguenti simboli sono utilizzati nel presente manuale utente o sul prodotto:



*Leggere il manuale per l'utente.*



*Denota il rischio di lesioni personali, morte o danni all'utensile in caso di mancata osservanza delle istruzioni contenute nel presente manuale.*



*Indica un pericolo di scossa elettrica.*



*Velocità elettronica variabile.*



*Indossare occhiali di protezione.  
Indossare protezioni per l'udito.*



*Indossare una mascherina anti-polvere.*



*Apparecchio di Classe II - Doppio isolamento - Non è necessario il collegamento a terra.*



*Il prodotto è conforme agli standard pertinenti in materia di sicurezza previsti dalla legislazione Europea.*

**REGOLE GENERALI DI SICUREZZA**

**ATTENZIONE! Leggere tutte le avvertenze di sicurezza e tutte le istruzioni.** Se non si seguono tutte le istruzioni sotto elencate, si può incorrere in uno shock elettrico, in un incendio e/o in lesioni serie.

**Conservare queste istruzioni.**

Il termine "arnese elettrico" in tutti gli avvertimenti sotto elencati si riferisce al vostro arnese elettrico che funziona a corrente (con filo) o ad un arnese che funziona a pile (senza filo).

**1) Area di lavoro**

- a) **Mantenere l'area di lavoro pulita e ben illuminata.**  
Aree buie e disordinate favoriscono gli incidenti.

- b) **Non usare arnesi elettrici in atmosfere esplosive, come vicino ai liquidi infiammabili, gas o polveri.** Gli arnesi elettrici creano scintille che possono incendiare la polvere dei vapori.
- c) **Tenere lontani bambini e altre persone mentre si accende l'arnese elettrico.** Le distrazioni possono farvi perdere il controllo.
- 2) Sicurezza elettrica**
- a) **Le spine dell'arnese elettrico devono andare bene per la presa di corrente. Non modificare mai la spina in alcun modo. Non usare alcun adattatore con arnesi elettrici a terra (messo a terra).** Spine non modificate che vanno bene per le prese di corrente ridurranno il rischio di shock elettrico.
- b) **Evitare il contatto corporeo con superfici a terra come tubature, radiatori, fornelli e refrigeratori.** C'è un rischio maggiore di shock elettrico se il vostro corpo è a terra.
- c) **Non esporre arnesi elettrici alla pioggia o a condizioni di umidità.** Se dell'acqua penetra nell'arnese elettrico aumenterà il rischio di shock elettrico.
- d) **Non abusare del filo. Non usare mai il filo per trasportare, spingere o staccare dalla presa l'arnese elettrico. Tenere il filo lontano da calore, olio, bordi taglienti o parti mobili.** Fili danneggiati o aggrovigliati aumentano il rischio di shock elettrico.
- e) **Quando si accende un arnese elettrico all'aperto, usare una prolunga adatta a tale uso.** Usare un filo adatto all'uso all'aperto ridurrà il rischio di shock elettrico.
- f) **Se non è possibile evitare l'uso di un elettroutensile in ambiente umido, usare una rete di alimentazione protetta da un interruttore differenziale (salvavita).** L'uso di un salvavita riduce il rischio di scosse elettriche.
- 3) Sicurezza personale**
- a) **Stare vigili e attento quando si accende un arnese elettrico. Non usare un arnese elettrico mentre si è stanco o sotto l'effetto di droghe, alcool o medicinali.** Un momento di disattenzione mentre si accendono arnesi elettrici può causare delle gravi lesioni personali.
- b) **Usare dispositivi di protezione individuale. Indossare sempre una protezione per gli occhi.** Dispositivi di sicurezza come mascherina per la polvere, scarpe di sicurezza antiscivolo, casco, o protezioni per le orecchie usate nelle appropriate condizioni, ridurranno le lesioni personali.
- c) **Prevenire l'avvio accidentale. Assicurarsi che l'interruttore sia spento prima di collegarsi.** Trasportare elettroutensili tenendo il dito sull'interruttore di accensione o dare corrente ad elettroutensili con l'interruttore acceso può dare luogo a incidenti.
- d) **Rimuovere ogni chiave regolatrice o chiave per dadi prima di accendere l'arnese elettrico.** Una chiave per dadi o una chiave lasciata attaccata ad una parte rotante dell'arnese elettrico può provocare lesioni personali.
- e) **Cercare di mantenere l'equilibrio. Mantenere sempre un punto d'appoggio appropriato.** Questo consente un controllo migliore dell'arnese elettrico in situazioni inaspettate.
- f) **Vestirsi adeguatamente. Non indossare vestiti larghi o gioielli. Tenere lontano capelli, vestiti e guanti dalle parti mobili.** Vestiti larghi, gioielli o capelli lunghi possono essere presi nelle parti mobili.
- g) **Se vengono forniti dispositivi per la connessione dell'estrazione della polvere e attrezzature di raccolta, assicurarsi che questi siano collegati e usati correttamente.** L'uso di questi dispositivi può ridurre i rischi correlati alla polvere.
- h) **Non lasciare che la confidenza acquisita dall'uso frequente induca l'utilizzatore ad assumere comportamenti imprudenti e a ignorare i principi di sicurezza per l'utensile.** Una semplice distrazione può provocare gravi lesioni personali in una frazione di secondo.
- 4) Uso e manutenzione dell'arnese elettrico**
- a) **Non forzare l'arnese elettrico. Usare l'arnese elettrico corretto per il vostro impiego.** L'arnese elettrico corretto farà il lavoro meglio e in maniera più sicura alla velocità per la quale è stato progettato.
- b) **Non usare l'arnese elettrico se l'interruttore non si accende o non si spegne.** Ogni arnese elettrico che non può essere controllato con l'interruttore è pericoloso e deve essere riparato.
- c) **Scollegare la spina dalla sorgente di elettricità prima di fare qualsiasi regolazione, cambiare gli accessori, o conservare arnesi elettrici.** Tali misure di sicurezza preventive riducono il rischio di accendere l'arnese elettrico accidentalmente.
- d) **Conservare gli arnesi elettrici inattivi fuori dalla portata dei bambini e non permettere a persone che non hanno confidenza con l'arnese elettrico o**



con queste istruzioni di usare l'arnese elettrico. Gli arnesi elettrici sono pericolosi per utenti inesperti.

- e) **Mantenere gli arnesi elettrici. Controllare il non allineamento o l'attacco di parti mobili, la rottura di parti ed ogni altra condizione che può influire sul funzionamento degli arnesi elettrici. Se è danneggiato, far riparare l'arnese elettrico prima dell'uso.** Molti incidenti sono causati da arnesi elettrici mantenuti male.
- f) **Mantenere gli arnesi da taglio affilati e puliti.** È meno probabile che si attacchino degli arnesi da taglio mantenuti correttamente con tagli affilati e questi sono anche più facili da controllare.
- g) **Usare l'arnese elettrico, gli accessori e le parti dell'arnese ecc, secondo queste istruzioni e nel modo pensato per il particolare tipo di arnese elettrico, tenendo conto delle condizioni di lavoro e del lavoro da svolgere.** L'uso dell'arnese elettrico per operazioni diverse da quelle pensate potrebbe causare situazioni pericolose.
- h) **Mantenere le impugnature e le superfici di presa asciutte, pulite e libere da olio e grasso.** Impugnature e superfici di presa scivolose non consentono di maneggiare e controllare in sicurezza l'utensile in situazioni impreviste.

#### 5) Uso e manutenzione dell'utensile a batteria

- a) **Ricaricare l'apparecchio esclusivamente con il caricabatterie specificato dal fabbricante.** Se si utilizza un caricabatterie di diverso tipo potrebbero verificarsi incendi.
- b) **Utilizzare gli utensili elettrici solo con i pacchi batterie appositamente prescritti.** L'uso di pacchi batterie di diverso tipo aumenta il rischio di infortunio o incendio.
- c) **Quando il pacco batterie non è in uso, tenerlo lontano da oggetti metallici quali fermagli, monete, chiavi, chiodi, viti o altri piccoli oggetti metallici che potrebbero mettere in collegamento i due poli.** Se i poli vengono messi in corto circuito, la batteria potrebbe emettere scintille o fiammate.
- d) **In condizioni di uso scorretto, la batteria potrebbe emettere liquido: evitare pertanto di entrarvi in contatto. In caso di contatto accidentale, risciacquare con acqua. Se il liquido entra a contatto con gli occhi, consultare immediatamente un medico.** Il liquido emesso dalla batteria può causare irritazioni o ustioni.
- e) **Non utilizzare un pacco batterie o l'utensile se danneggiati o manomessi.** Pacchi batterie danneggiati o manomessi potrebbero avere

comportamenti imprevisti con il rischio di incendiarsi, esplodere o provocare lesioni a persone.

- f) **Non esporre un pacco batterie o l'utensile alle fiamme o a temperature eccessivamente elevate.** L'esposizione alle fiamme o a temperature superiori a 130 °C potrebbe provocare un'esplosione. NOTA: la temperatura di "130 °C" corrisponde a "265 °F".
- g) **Seguire tutte le istruzioni per la ricarica e non caricare il pacco batterie o l'utensile a temperature che non rientrino nell'intervallo specificato nelle istruzioni.** Se si effettua la ricarica in modo improprio o a temperature non comprese nell'intervallo specificato, il pacco batterie potrebbe subire danni e potrebbe aumentare il rischio di incendi.

#### 6) Riparazione

- a) **L'assistenza per l'elettro utensile deve essere prestata da un tecnico qualificato che utilizzi soltanto ricambi originali.** In questo modo viene garantita la sicurezza dell'elettro utensile.
- b) **Non tentare di riparare pacchi batterie danneggiati.** La riparazione dei pacchi batteria deve essere effettuata esclusivamente dal produttore o presso centri di assistenza autorizzati.

#### ISTRUZIONI DI SICUREZZA AGGIUNTIVE

- **Serrare saldamente la parte terminale della frusta di miscelazione e rimuovere la chiave prima di avviare la macchina.**
- **Non utilizzare l'elettro utensile per miscelare materiali esplosivi (per esempio, solventi facilmente infiammabili).** Gli elettro utensili producono scintille che potrebbero incendiare i vapori generati da queste sostanze.
- **Se l'elettro utensile dovesse cadere nel materiale da miscelare, staccare subito la spina dalla presa di corrente e fare controllare la macchina da un tecnico del servizio di assistenza post-vendita.** Il materiale penetrato nell'elettro utensile può causare danni e provocare una scossa elettrica.
- **Durante il lavoro tenere saldamente la macchina dalle superfici di presa isolate con entrambe le mani e mantenere sempre un appoggio e un equilibrio adeguati.** Con entrambe le mani la macchina viene condotta in modo più sicuro. La perdita di controllo può causare lesioni personali.
- **Sostenere l'elettro utensile dalle superfici di presa isolate quando si eseguono lavori durante i quali l'accessorio potrebbe venire a**

**contatto con cavi elettrici nascosti o con il cavo di alimentazione dell'elettrotensile stesso.** Il contatto dell'accessorio con un cavo sotto tensione potrebbe trasmettere la tensione anche alle parti metalliche esposte dell'elettrotensile, con il pericolo di provocare la folgorazione dell'operatore.

- **Se l'utensile accessorio si inceppa spegnere immediatamente l'elettrotensile. Aspettarsi sempre una coppia di reazione elevata che può provocare un contraccolpo.** L'utensile accessorio si inceppa se:
  - l'elettrotensile è sottoposto a un carico eccessivo oppure
  - si incastra nel pezzo in lavorazione.
- **Non usare per miscelare prodotti alimentari.** Gli elettrotensili e i relativi accessori non sono concepiti per la lavorazione di prodotti alimentari.
- **Tenere il cavo di alimentazione a distanza dall'area di lavoro.** Il cavo di alimentazione potrebbe rimanere impigliato nella frusta di miscelazione.
- **Il contenitore di miscelazione dovrà essere adatto a tale compito e trovarsi in posizione stabile.** Un contenitore non fissato correttamente potrebbe spostarsi in maniera incontrollata.
- **Accertarsi di evitare spruzzi di liquidi sull'alloggiamento dell'elettrotensile.** Eventuali infiltrazioni di liquidi nell'elettrotensile possono causare danni o folgorazioni.
- **Seguire le istruzioni e le avvertenze riportate nella Scheda dati di sicurezza del materiale da miscelare.** Il materiale da miscelare potrebbe essere pericoloso.
- **In caso di interruzione dell'alimentazione elettrica, liberare l'interruttore di arresto premendo l'interruttore di avvio/arresto.** In tal modo si impedirà il riavvio accidentale dell'elettrotensile (pericolo di lesioni a persone).
- **Non utilizzare l'elettrotensile con un supporto.**

#### Sicurezza elettrica



*Controllare sempre che la tensione di alimentazione corrisponda alla tensione indicata sulla targhetta delle caratteristiche.*

- Non utilizzare l'elettrotensile quando il cavo o la spina di alimentazione sono danneggiati.
- Utilizzare esclusivamente cavi di prolunga idonei per la potenza nominale dell'elettrotensile, con conduttori di sezione minima di 1,5 mm<sup>2</sup>. Quan-

do si utilizza un cavo di prolunga con avvolgicavo, svolgere sempre completamente il cavo.

## 2. INFORMAZIONI RELATIVE ALL'ELETTROTENSILE

#### Uso previsto

La macchina è concepita per la miscelazione di materiali da costruzione in polvere, quali malta, intonaco e colle, oltre che colori non contenenti solventi, vernici e sostanze simili. Un uso scorretto può danneggiare l'utensile.

#### DATI TECNICI

Numero modello	PM502AC	
Tensione di alimentazione	230-240V~	
Frequenza di alimentazione	50Hz	
Potenza assorbita	1800W	
Velocità a vuoto	Marcia 1	180-400/min
	Marcia 2	300-700/min
Assemblaggio dello strumento	M14	
Frusta	Ø 140 mm	
Peso	4,45 kg	
Livello di pressione sonora L <sub>PA</sub>	87,6+3 dB(A)	
Livello di potenza sonora L <sub>WA</sub>	98,6+3 dB(A)	
Vibrazione	5,187+1,5 m/s <sup>2</sup>	

#### Livello delle vibrazioni

Il livello di emissioni delle vibrazioni indicato sul retro di questo manuale di istruzioni è stato misurato in conformità a un test standardizzato stabilito dalla norma EN 60745; questo valore può essere utilizzato per mettere a confronto un l'utensile con un altro o come valutazione preliminare di esposizione alla vibrazione quando si impiega l'utensile per le applicazioni menzionate

- se si utilizza l'utensile per applicazioni diverse, oppure con accessori differenti o in scarse condizioni, il livello di esposizione potrebbe aumentare notevolmente
- i momenti in cui l'utensile è spento oppure è in funzione ma non viene effettivamente utilizzato per il lavoro, possono contribuire a ridurre il livello di esposizione.

Proteggersi dagli effetti della vibrazione effettuando la manutenzione dell'utensile e dei relativi

accessori, mantenendo le mani calde e organizzando i metodi di lavoro.

## DESCRIZIONE

I numeri che compaiono nel testo si riferiscono agli schemi riportati alle pagine 2.

1. Interruttore di avvio/arresto
2. Pulsante di sicurezza
3. Rotella di regolazione velocità
4. Selettore di velocità marcia
5. Portautensile
6. Manico
7. Aperture di ventilazione
8. Stelo della frusta
9. Parte terminale della frusta

## 3. MONTAGGIO

### Assemblaggio della frusta suddivisa in due parti (Fig. A)

1. Avvitare lo stelo della frusta (8) sulla parte terminale della frusta (9)
2. Stringere saldamente entrambe le parti

### Sostituzione della frusta (Fig. A)



*Prima del montaggio spegnere sempre l'elettrotensile e staccare la spina dalla presa di corrente.*

Utilizzare solo fruste conformi al diametro specificato. Usare sempre una frusta adatta per gli ingredienti da mischiare/girare. L'uso di una barra del mixer non idonea può sovraccaricare la macchina e affaticare l'utilizzatore inutilmente.

### Fissaggio della frusta

1. Avvitare la frusta assemblata nel portautensili (5) ruotandola il più possibile in senso orario.
2. Stringere la frusta nel portautensili utilizzando le chiavi in dotazione. Per eseguire questa operazione tenere fermo il portautensili (5) con una delle chiavi e utilizzare la seconda chiave per serrare la frusta assemblata.

### Rimozione della frusta

1. Allentare la frusta assemblata con le chiavi in dotazione. Per eseguire questa operazione tenere fermo il portautensili (5) con una delle chiavi e utilizzare la seconda chiave per allentare la frusta assemblata.

2. Svitare la frusta dal portautensili (5) ruotandola in senso antiorario.

## 4. FUNZIONAMENTO

### L'interruttore di accensione (Fig. A)

L'interruttore di accensione/spegnimento (1) serve per l'attivazione della macchina e la regolazione della velocità.

- Per accendere l'elettrotensile tenere premuto il pulsante di sicurezza (2), quindi premere l'interruttore di accensione/spegnimento (1).
- Per arrestare l'elettrotensile rilasciare l'interruttore di accensione/spegnimento (1).

### Selezione marcia (Fig. B)

È possibile selezionare due intervalli di velocità meccanica con il selettore marce (4):

Marcia 1	180-400/min
Marcia 2	300-700/min

La marcia necessaria dipende dal tipo di materiale miscelato e si consiglia di verificarla mediante un test pratico.

### Rotella di regolazione velocità (Fig. B)

La velocità richiesta può essere regolata con l'apposita rotella di regolazione (3). La velocità di rotazione può essere regolata anche mentre la levigatrice è in funzione.

- Per aumentare la velocità ruotare la manopola di regolazione della velocità (3) in senso orario.
- Per ridurre la velocità ruotare la manopola di regolazione della velocità (3) in senso antiorario.

Le velocità richieste dipendono dal materiale e possono essere stabilite con una prova pratica.

### Utilizzo ottimale

- Per miscelare materiale a bassa viscosità, come per esempio pittura in emulsione, vernici, colle, composto per iniezioni e fanghi di cemento, utilizzare una frusta di miscelazione ad elica sinistra. Nella frusta di miscelazione ad elica sinistra il materiale viene convogliato dall'alto verso il basso. I prodotti da miscelare a bassa viscosità vengono miscelati in modo da ridurre gli spruzzi (Marcia 1).
- Per miscelare materiale ad alta viscosità, come per esempio intonaco pronto, calcestruzzo, cemento, massetto, mastice o resina epossidica, utilizzare una frusta di miscelazione ad elica destra.

Nella frusta di miscelazione ad elica destra il materiale viene convogliato dal basso verso l'alto e la frusta di miscelazione viene introdotta nella miscela. I materiali ad alta viscosità sono difficili da miscelare, perciò si raccomanda di utilizzare la macchina ad alta velocità (Marcia 2).

- Per ottenere risultati ottimali spostare l'elettro-utensile su e giù durante la miscelazione.
- Si raccomanda di pulire la frusta dopo l'uso, ad esempio azionandola in un secchio pieno d'acqua.

## 5. MANUTENZIONE



*Prima di eseguire qualsiasi intervento di manutenzione scollegare sempre la macchina dalla presa di corrente.*

Pulire regolarmente il corpo dell'elettro-utensile con un panno morbido, preferibilmente dopo ogni uso. Assicurarsi che le prese d'aria siano libere da polvere e sporcizia. Rimuovere lo sporco particolarmente ostinato con un panno morbido inumidito con acqua e sapone. Non utilizzare solventi come benzina, alcol, ammoniaca, ecc. Le sostanze chimiche di questo tipo danneggiano i componenti sintetici.

## RISPETTO AMBIENTALE



*Le apparecchiature elettriche o elettroniche difettose e/o scartate devono essere raccolte presso gli opportuni siti di riciclaggio.*

### Solo per i Paesi CE

Non smaltire gli elettro-utensili insieme ai rifiuti domestici. Secondo la Direttiva europea 2012/19/EC sui rifiuti delle apparecchiature elettriche ed elettroniche e relativa implementazione nelle normative locali, gli elettro-utensili ormai inutilizzabili devono essere raccolti separatamente e smaltiti in modo ecologico.

## DEFINIZIONI DELLA GARANZIA

I prodotti VONROC sono sviluppati secondo i più elevati standard di qualità e viene garantita l'assenza di difetti nei materiali e nella manodopera per il periodo contrattuale a partire dalla data di acquisto originale. Qualora il prodotto dovesse subire un guasto qualsiasi durante questo periodo a causa di difetti nei materiali e/o nella manodopera, si prega di contattare direttamente il VONROC.

Le seguenti circostanze sono escluse da questa garanzia:

- Riparazioni e/o modifiche alla macchina sono state eseguite o tentate da centri di assistenza non autorizzati.
- Normale usura.
- L'utensile è stato abusato, utilizzato o manutenu- to in modo improprio.
- Sono state utilizzate parti di ricambio non originali

Ciò costituisce l'unica garanzia espressa o implicita fornita dall'azienda. Non esistono altre garanzie es- presse o implicite che si estendono oltre il presente documento, ivi comprese le garanzie implicite di commerciabilità e idoneità per uno scopo particola- re. In nessun caso VONROC sarà responsabile di eventuali danni incidentali o consequenziali. I rime- di dei rivenditori saranno limitati alla riparazione o sostituzione di unità o parti non conformi.

**Il prodotto e il manuale per l'utente sono soggetti a modifiche. I dati tecnici possono essere modificati senza ulteriore notifica.**

## 1. SÄKERHETSANVISNINGAR

Läs de medföljande säkerhetsvarningarna, de kompletterande säkerhetsvarningarna och anvisningarna. Underlåtenhet att följa säkerhetsvarningarna och anvisningarna kan orsaka elstöt, brand och/eller allvarlig skada. Spara säkerhetsvarningarna och anvisningarna som framtida referensmaterial.

Följande symboler används i användarhandboken eller på produkten:



Läs användarhandboken.



Anger risk för personskada, dödsfall eller skada på verktyget om anvisningarna i denna handbok inte följs.



Risk för elstöt.



Variabla elektroniska varvta.



Använd skyddsglasögon.  
Använd hörselskydd.



Använd en dammask.



Klass II-maskin - dubbelisolering -  
Du behöver ingen jordad kontakt.



Produkten uppfyller gällande säkerhetsnormer i EU-direktiven.

### ALLMÄNNA SÄKERHETSFORESKRIFTER FÖR ELVERKTYG



**VARNING! Läs alla säkerhetsvarningar och alla anvisningar.** Underlåtenhet att följa varningar och instruktioner kan resultera i elstötar, brand och/eller allvarliga skador.

**Spara alla varningar och instruktioner för framtida referens.** Uttrycket "elverktyg" i varningarna avser ditt nätslutna (med sladd) verktyg eller batteri-drivna (sladdlösa) elektriska verktyg.

#### 1) Arbetsplats säkerhet

- Håll arbetsplatsen ren och välbelyst.** Belamrade eller mörka områden inbjuder till olyckor.
- Använd inte elektriska verktyg i explosiva atmosfärer, såsom i närvaro av lättantändliga**

**vätskor, gaser eller damm.** Elverktyg skapar gnistor som kan antända damm eller ångor.

- Håll barn och åskådare borta medan du arbetar med ett elverktyg.** Om du blir distraherad kan du tappa kontrollen.
- #### 2) Elsäkerhet
- Verktygets elkontakt måste passa till vägguttaget. Ändra inte kontakten på något sätt. Använd inte adapterkontakter med jordade elverktyg.** Omodifierade kontakter och matchande uttag minskar risken för elektrisk stöt.
  - Undvik kroppskontakt med jordade ytor såsom rör, värmelement, spisar och kylskåp.** Det finns en ökad risk för elektrisk stöt om din kropp är jordansluten eller jordad.
  - Utsätt inte elektriska verktyg för regn eller väta.** Vatten som tränger in i ett elverktyg ökar risken för elstöt.
  - Hantera inte elkabeln felaktigt. Använd aldrig sladden för att bära, dra eller koppla bort elverktyget från uttaget. Håll sladden borta från värme, olja, vassa kanter eller rörliga delar.** Skadade eller tilltrasslade sladdar ökar risken för elektrisk stöt.
  - När du arbetar med ett elverktyg utomhus, använd en förlängningssladd som passar för utomhusanvändning.** Användning av en sladd som passar för utomhusanvändning minskar risken för elektrisk stöt.
  - Om arbete med ett elverktyg i en fuktig lokal är oundvikligt, använd ett uttag som är skyddat med jordfelsbrytare.** Användning av jordfelsbrytare minskar risken för elstötar.

#### 3) Personlig säkerhet

- Var uppmärksam, kontrollera vad du gör och använd sunt förnuft när du arbetar med ett elektriskt verktyg.** Använd inte ett elverktyg när du är trött eller påverkad av droger, alkohol eller medicinering. Ett ögonblicks uppmärksamhet under arbetet kan resultera i allvarliga personskador.
- Använd personlig skyddsutrustning. Bär alltid ögonskydd.** Skyddsutrustning såsom dammfilterskydd, halksäkra säkerhetsskor, skyddshjälm eller hörselskydd som används för lämpliga förhållanden minskar personskador.
- Förebygg oavsiktlig igångsättning. Se till att strömbrytaren är i avstängd position innan anslutning till strömkällan och/eller batte-**

**riet, verktyget lyfts upp eller bärs.** Om du bär elverktyg med ditt finger på strömbrytaren eller ansluter ett påkopplat elverktyg till nätströmmen kan en olycka inträffa.

- d) **Avlägsna eventuell justeringsnyckel eller skiftnyckel innan du sätter på elverktyget.** En skiftnyckel eller en nyckel som sitter kvar på en roterande del av elverktyget kan resultera i personskada.
- e) **Böj dig inte för långt. Bibehåll alltid ordentligt fotfäste och balans.** Detta möjliggör bättre kontroll av elverktyget i oväntade situationer.
- f) **Bär lämpliga kläder. Använd inte vida kläder eller smycken. Håll hår, kläder och handskar borta från rörliga delar.** Lösa kläder, smycken eller långt hår kan fastna i rörliga delar.
- g) **Om enheten är försedd med anslutning av dammsug och uppsamlingsmöjlighet, se till att dessa är anslutna och används korrekt.** Dammupptagning minskar dammrelaterade risker.
- h) **Låt inte erfarenheten som uppnås vid frekvent användning av verktyg låta dig bli för självsäker och ignorera verktygs säkerhetsprinciperna.** En oförsiktig handling kan orsaka allvarliga skador under bråkdelen av en sekund.
- 4) Användning och skötsel av elverktyg**
- a) **Bruka inte våld när du använder elverktyget. Använd rätt slags elektriska verktyg för ditt arbete.** Rätt elverktyg gör arbetet bättre och säkrare vid den hastighet som det har konstruerats för.
- b) **Använd inte elverktyget om strömbrytaren inte sätter på och stänger av det.** Ett elverktyg som inte kan kontrolleras med strömbrytaren är farligt och måste repareras.
- c) **Dra ur kontakten från strömkällan och/eller batteriet från elverktyget innan du gör några justeringar, byter tillbehör eller lägger undan elverktygen för förvaring.** Sådana förebyggande säkerhetsåtgärder minskar risken för att elverktyget startar oavsiktligt.
- d) **Förvara elverktyg oåtkomliga för barn och låt inte personer som är obekanta med verktyget eller dessa instruktioner använda verktyget.** Elektriska verktyg är farliga i händerna på oerfarna användare.
- e) **Underhåll av elektriska verktyg. Kontrollera för feljustering eller om rörliga delar har fastnat, bristning hos delar och andra eventuella förhållanden som kan komma att påverka elverktygets funktion. Om det är skadat, se till att elverktyget blir reparerat före användning.** Många olyckor orsakas av dåligt underhållna elektriska verktyg.
- f) **Håll kapverktyg vassa och rena.** Korrekt underhållna kapverktyg med vassa kanter är mindre troliga att kärva och lättare att kontrollera.
- g) **Använd elverktyget, dess tillbehör och verktyg i enlighet med dessa instruktioner och under beaktande av arbetsförhållandena och det arbete som ska utföras.** Användning av elverktyget för andra uppgifter än vad som avsetts kan resultera i farliga situationer.
- h) **Se till att handtagen är torra, rena och fria från olja och fett.** Hala handtag och grepppytor tillåter inte säker hantering och kontroll av verktyget i oväntade situationer.
- 5) Användning och skötsel av batteridrivna verktyg**
- a) **Ladda endast med den laddare som är specificerad av tillverkaren.** En laddare som passar för en typ av batteripaket kan medföra risk för brand när den används med en annat batteripaket.
- b) **Använd elverktygen enbart med det därtill avsedda batteriet.** Användning av andra batteri kan skapa en risk för skada och brand.
- c) **När batteriet inte används, håll det borta från andra metallföremål, såsom gem, mynt, nycklar, spikar, skruvar eller andra små metallföremål som kan skapa en förbindelse från ena polen till den andra.** Kortslutning av batteriets terminaler kan leda till brännskada eller brand.
- d) **Vid felaktig hantering kan vätska komma ut från batteriet, undvik kontakt med denna. Spola med vatten vid oavsiktlig kontakt. Sök läkarhjälp om vätskan kommer i kontakt med ögon.** Vätska som kommer ut från batteriet kan orsaka irritation eller brännskada.
- e) **Använd inte batterier eller verktyg som är skadade eller modifierade.** Skadade eller modifierade batterier kan uppvisa oförutsägbart beteende som kan leda till brand, explosion eller risk för skada.
- f) **Utsätt inte batteri eller verktyg för eld eller överdriven temperatur.** Exponering för brand eller temperatur över 130 °C kan orsaka explosion. OBS! Temperaturen "130 °C" kan ersättas med temperaturen "265 °F".

- g) **Följ alla laddningsanvisningar och ladda inte batteriet eller verktyget utanför det temperaturområde som anges i instruktionerna.** Om du laddar batteriet felaktigt eller vid temperaturer utanför det angivna området kan det skada batteriet och öka risken för brand.
- 6) **Service**
- a) **Se till att ditt elverktyg får service av en kvalificerad reparatör, som endast använder identiska ersättningsdelar.** Detta säkerställer att elverktygets säkerhet upprätthålls.
- b) **Utför aldrig service på skadade batterier.** Service av batteri ska endast utföras av tillverkaren eller auktoriserade serviceleverantörer.

### YTTERLIGARE SÄKERHETSANVISNINGAR

- **Dra åt blandarpaddeln ordentligt och avlägsna nyckeln innan du startar maskinen.**
- **Använd inte elverktyg för explosiva ämnen (t.ex. lättantändliga lösningsmedel).** Elverktyg producerar gnistor som kan antända ångor.
- **Om elverktyget faller ned i materialet som ska blandas, koppla ur verktyget omedelbart och låt kontrollera elverktyget av en servicerepresentant.** Vätska som tränger in i verktyget kan orsaka skador och leda till elektriska stötar.
- **Håll maskinen hårt med båda händerna vid de isolerade greppytorna medan du arbetar och håll alltid fötterna stadigt och rätt balans.** Maskinen styrs säkrare med båda händerna. Förlorad kontroll kan orsaka personskada.
- **Håll endast elverktyget i de isolerade greppytorna när du utför arbete där skärtillbehör kan komma i kontakt med dolda ledningar eller den egna sladden.** Tillbehör som kommer i kontakt med en strömförande ledning kan göra att exponerade metalldelar hos elverktyget blir strömförande och kan ge användaren en elstöt.
- **Stäng av elverktyget omedelbart när verktyget kilas fast.** Var beredd på att högt reaktionsvridmoment vidmoment kan orsaka rekyler. Verktyget kilas fast när:
  - Om elverktyget är överbelastat eller
  - det blir fastkilot i arbetsstycket.
- **Blanda inte livsmedel.** Elverktyg och tillbehör är inte avsedda för att hantera mat.
- **Håll sladden borta från arbetsområdet.** Sladden kan fastna i omrönningsvispen.

- **Blandningsbehållaren måste passa för blandning och stå säkert.** En behållare som inte är ordentligt fastsatt kan röra sig okontrollerat.
- **Se till att inga vätskor stänker mot elverktygets hölje.** Vätska som tränger in i verktyget kan orsaka skador och leda till elektriska stötar.
- **Följ anvisningarna och varningarna i Material-säkerhetsdatabladet (MSDS) för materialet som ska blandas.** Material som ska blandas kan vara skadliga.
- **I händelse av ett strömavbrott, släpp låsnyckeln genom att trycka på strömbrytaren.** Detta förhindrar att elverktyget startas om oavsiktligt (risk för skador).
- **Använd inte elverktyget i ett stativ.**

### Elsäkerhet



Kontrollera alltid så att spänningen på nätet motsvarar den spänning som finns angiven på märkplåten.

- Använd inte maskinen om nätkabeln eller nätkontakten är skadad.
- Använd endast förlängningskablar som är lämpliga för maskinens effekt med en minsta tjocklek på 1,5 mm<sup>2</sup>. Om du använder en kabelvinda, rulla alltid ut kabeln helt.

## 2. MASKININFORMATION

### Avsedd användning

Maskinen är avsedd för blandning av pulveriserat byggmaterial som murbruk, gips, lim, samt lösningsmedelsfri färg, lack och liknande ämnen. Felaktig användning kan skada verktyget.

### TEKNISKA SPECIFIKATIONER

Modell-nr	PM502AC
Spänning	230-240 V ~
Frekvens	50Hz
Ineffekt	1800 W
Hastighet utan belastning	
växel 1	180-400/min
växel 2	300-700/min
Verktygsfäste	M14
Visp	Ø 140 mm
Vikt	4,45 kg
Ljudtrycknivå L <sub>PA</sub>	87,6 + 3 dB(A)

Ljudeffektnivå $L_{WA}$	98,6 + 3 dB(A)
Vibration	5,187 +1,5 m/s <sup>2</sup>

### Vibrationsnivå

Vibrationsutsläppsnivån som anges i denna bruksanvisning har uppmätts i enlighet med ett standardiserat test i EN 60745, som kan användas för att jämföra verktyg med varandra och som en preliminär bedömning av exponering för vibrationer när du använder verktyget för angivna arbeten.

- Användning av verktyget för andra tillämpningar, eller med olika eller dåligt underhållna tillbehör kan avsevärt öka exponeringsnivån.
- De gånger då verktyget stängs av eller är på men egentligen inte används kan minska exponeringsnivån betydligt.

Skydda dig mot effekterna av vibrationer genom att underhålla verktyget och dess tillbehör, hålla händerna varma och organisera ditt arbetsmönster.

### BESKRIVNING

Siffrorna i texten hänvisar till diagrammen på sidan 2.

1. Strömbrytare
2. Låsknapp
3. Hastighetsjusteringsratt
4. Växelväljare
5. Verktygshållare
6. Handtag
7. Ventilationsöppningar
8. Vispaxel
9. Visppaddel

## 3. MONTERING

### Montering av tvådelad visp (fig. A)

1. Skruva vispaxeln (8) på visppaddeln (9)
2. Dra åt båda delarna ordentligt

### Byte av visp (fig. A)



Stäng alltid av maskinen och ta ut strömkontakten från strömkällan innan montering.

Använd endast vispar i enlighet med angiven diameter. Använd alltid en visp som passar materialet som ska blandas/röras. Användning av olämplig mixerstav kan onödigt överbelasta både maskinen och dig själv.

### Montering av visp

1. Skruva in den monterade vispen i verktygshållaren (5) medurs i så stor utsträckning som möjligt.
2. Dra åt vispen i verktygshållaren med hjälp av de medföljande nycklarna. För att göra det, håll in verktygshållaren (5) med en av de medföljande nycklarna, och använd den andra nyckeln för att dra åt den monterade vispen.

### Borttagning av vispen

1. Lossa monterad visp med hjälp av de medföljande nycklarna. För att göra det, håll in verktygshållaren (5) med en av de medföljande nycklarna, och använd den andra nyckeln för att lossa den monterade vispen.
2. Skruva lossa vispen från verktygshållaren (5) moturs.

## 4. ANVÄNDNING

### Igångsättning och avstängning (bild A)

Växelbrytaren (1) används för aktivering av maskinen och justering av hastigheten.

- För att starta maskinen, håll in låsknappen (2) och tryck på strömbrytaren (1).
- Släpp strömbrytaren (1) för att stoppa maskinen.

### Växelval (fig. B)

Två mekaniska hastighetsområden kan väljas med växelväljaren (4):

växel 1	180-400/min
växel 2	300-700/min

Den nödvändiga utrustningen beror på vilken typ av material som blandas och det rekommenderas att kontrollera det genom ett praktiskt test.

### Hastighetsjustering (bild B)

Den önskade hastigheten kan ställas in genom att använda hastighetsinställningsratten (3). Även under körningen kan rotationshastigheten justeras.

- För att öka hastigheten, vrid hastighetsinställningsratten (3) medurs.
- För att minska hastigheten, vrid hastighetsinställningsratten (3) moturs.

De hastigheter som krävs beror på materialet och kan bestämmas med praktiska tester.



**Optimal användning**

- För material med låg viskositet, t.ex. emulsionsfärg, lack, lim, injekteringsblandning och cementslam rekommenderas en omrörare med en så kallad vänsterspiral för optimal användning. Med en vänsterspiral flyttas materialet uppifrån och ner och omrörarens visp trycks uppåt. Material med låg viskositet blandas på ett sätt som minimerar stänk, så låg hastighet (växel 1) rekommenderas.
- För material med hög viskositet, t.ex. gips, betong, cement, golvbeläggning, fyllmedel och epoxiharts rekommenderas en omrörare med en så kallad högerspiral för optimal användning. Med en högerspiral flyttas materialet nerifrån och upp och omrörarens visp trycks nedåt (arbetar in i blandningen). Material med hög viskositet ska blandas noga, så hög hastighet (växel 2) rekommenderas.
- För bästa resultat, rör elverktyget upp och ner under blandningsprocessen.
- Det rekommenderas att vispen rengörs efter användning, till exempel genom att köra vispen i en hink fylld med vatten.

**5. UNDERHÅLL**

*Dra alltid ut maskinen från eluttaget innan du utför något underhållsarbete.*

Rengör maskinens hus regelbundet med en mjuk trasa, helst efter varje gång du använder maskinen. Se till att ventilationsöppningarna är fria från damm och smuts.

Ta bort mycket ihållande smuts med en mjuk trasa fuktad med tvållösning. Använd inte lösningsmedel som bensin, alkohol, ammoniak osv. Sådana kemikalier skadar de syntetiska komponenterna.

**MILJÖ**

*Felaktig och/eller kasserad elektrisk eller elektronisk utrustning måste lämnas in på lämpliga återvinningsstationer.*

**Endast för EU-länder**

Kassera inte elverktyg i hushållsavfall. Enligt den europeiska riktlinjen 2012/19/EG omkasserad elektrisk och elektronisk utrustning och dess tillämpning i nationell rätt måste elverktyg som inte längre

är användbara samlas in separat och kasseras på ett miljövänligt sätt.

**GARANTI**

VONROC-produkter är utvecklade enligt högsta kvalitetsstandard och garanteras fria från defekter i både material och utförande under den period som lagen föreskriver från och med inköpsdatumet. Om produkten skulle utveckla fel under denna period på grund av defekt material och/eller utförande, kontakta då VONROC direkt.

Följande omständigheter är undantagna från denna garanti:

- Reparationer och/eller ändringar har gjorts eller försökts utföras på maskinen av obehöriga servicecenter;
- Normalt slitage;
- Verktyget har missbrukats, använts på fel sätt eller underhållits felaktigt;
- Reservdelar som inte är original har använts. Detta utgör den enda garantin som företaget ger antingen uttryckt eller underförstått. Det finns inga andra garantier uttryckta eller underförstådda som sträcker sig bortom detta, inklusive de underförstådda garantierna för säljbarhet och lämplighet för ett visst syfte. Under inga omständigheter ska VONROC hållas ansvarigt för indirekta skador eller följskador. Återförsäljarnas åtgärder ska begränsas till reparation eller byte av enheter eller delar som inte uppfyller kraven.

**Produkten och användarhandboken kan ändras. Specifikationerna kan ändras utan förvarning.**

## 1. SIKKERHEDSANVISNINGER

Læs de vedlagte sikkerhedsadvarsler, de yderligere sikkerhedsadvarsler og vejledningen. Hvis sikkerhedsadvarslerne og vejledningen ikke følges, kan det resultere i elektrisk stød, brand og/eller alvorlige personskader. Gem sikkerhedsadvarslerne og vejledningen til fremtidig brug.

Følgende symboler anvendes i brugervejledningen eller på produktet:



Læs brugervejledningen.



Angiver risiko for personskade, dødsfald eller beskadigelse af værktøjet i tilfælde af manglende overholdelse af anvisningerne i denne vejledning.



Risiko for elektrisk stød.



Variabel elektronisk hastighed.



Bær sikkerhedsbriller.  
Bær høreværn.



Bær en støvmaske.



Klasse II maskine - Dobbelt isolering - Du har ikke brug for et jordforbundet stik.



Produktet er i overensstemmelse med de gældende sikkerhedsstandarder i EU-direktiverne.

### GENERELLE SIKKERHEDSADVARSLER FOR ELVÆRKTØJ



**ADVARSEL! Læs alle sikkerhedsadvarsler og alle anvisninger.** Hvis advarslerne og vejledningen ikke følges, kan det resultere i elektrisk stød, brand og/eller alvorlige personskader.

#### Gem alle advarsler og instruktioner til fremtidig brug.

Udtrykket "el-værktøj" i advarslerne refererer til dit el-værktøj (med ledning) eller dit batteridrevne (ledningsfri) el-værktøj.

#### 1) Sikkerhed på arbejdsområdet

- a) **Hold arbejdsområdet rent og godt oplyst.** Der er risiko for ulykker på rodede eller mørke områder.

- b) **Brug ikke el-værktøj i eksplosive atmosfærer, f.eks. i nærheden af brandfarlige væsker, gasser eller støv.** El-værktøj danner gnister, der kan antænde støv eller dampe.
- c) **Hold børn og tilskuere væk, mens du bruger et el-værktøj.** Distraktioner kan få dig til at miste kontrollen.

#### 2) El-sikkerhed

- a) **Stik på el-værktøj skal passe til stikkontakten. Stikket må aldrig modificeres på nogen måde. Brug ikke adapterstik med jordforbundne (jordede) el-værktøj.** Umodificerede stik og tilsvarende stikkontakter reducerer risikoen for elektrisk stød.
- b) **Undgå kropskontakt med jordede overflader, såsom rør, radiatorer, områder og køleskabe.** Der er en øget risiko for elektrisk stød, hvis din krop er jordet.
- c) **El-værktøjer må ikke udsættes for regn eller våde omgivelser.** Vand, der trænger ind i et el-værktøj, vil øge risikoen for elektrisk stød.
- d) **Misbrug ikke ledningen. Brug ikke ledningen til at bære, trække eller frakoble el-værktøjet. Hold ledningen væk fra varme, olie, skarpe kanter eller dele i bevægelse.** Beskadigede eller sammenfiltrede ledninger øger risikoen for elektrisk stød.
- e) **Når du betjener et el-værktøj udendørs, skal du bruge en forlængerledning, der er velegnet til udendørs brug.** Brug af en ledning, der er velegnet til udendørs brug, reducerer risikoen for elektrisk stød.
- f) **Hvis det ikke kan undgås at bruge et maskinværktøj i et fugtigt miljø, bør du anvende en forsyning, der er beskyttet af en fejlstrømsafbryder (RCD).** Brugen af en RCD reducerer risikoen for elektrisk stød.

#### 3) Personlig sikkerhed

- a) **Vær opmærksom, se hvad du laver, og brug din sunde fornuft, når du bruger et el-værktøj. Brug ikke et el-værktøj, når du er træt eller påvirket af stoffer, alkohol eller medicin.** Et øjeblikvis uopmærksomhed under brug af el-værktøj kan resultere i alvorlig personskade.
- b) **Brug personligt sikkerhedsudstyr. Bær altid øjenværn.** Beskyttelsesudstyr såsom støvmaske, skridsikre sikkerhedssko, hjelm eller høreværn, der bruges til passende forhold, reducerer personskader.

- c) **Undgå utilsigtet start. Sørg for, at kontakten er slukket, før du tilslutter strømkilden og/eller batteripakken, tager maskinen op eller bærer værktøjet.** Hvis el-værktøj bæres med fingeren på kontakten, eller når el-værktøj strømføres med tændt kontakt, kan der nemt ske ulykker.
- d) **Fjern en eventuel justeringsnøgle eller skrue-nøgle, inden du tænder for el-værktøjet.** En skrue-nøgle eller en justeringsnøgle, der er fastgjort til en roterende del af el-værktøjet, kan resultere i personskade.
- e) **Ræk dig ikke for langt. Hold altid et korrekt fodfæste og balancen.** Dette giver bedre kontrol over el-værktøjet i uventede situationer.
- f) **Klæd dig korrekt. Bær ikke løst tøj eller smykker. Hold dit hår, tøj og handsker væk fra bevægelige dele.** Løst tøj, smykker eller langt hår kan sætte sig fast i bevægelige dele.
- g) **Hvis der leveres enheder til tilslutning af støvudsugnings- og opsamlingsfaciliteter, skal du sikre, at disse er tilsluttet og bliver brugt korrekt.** Brug af støvopsamling kan reducere støvrelaterede farer.
- h) **Lad ikke kendskab opnået gennem hyppig brug af værktøj lade dig blive tilbagelænet og ignorere værktøjssikkerhedsprincipper.** En skødesløs handling kan forårsage alvorlig personskade inden for en brøkdal af et sekund.
- 4) Brug og pleje af el-værktøj**
- a) **Tving ikke el-værktøjet. Brug det korrekte el-værktøj til din opgave.** Det korrekte el-værktøj vil gøre et bedre stykke arbejde og vil være mere sikkert ved den hastighed, det var beregnet til.
- b) **Brug ikke el-værktøjet, hvis kontakten ikke tænder og slukker.** Ethvert el-værktøj, der ikke kan styres med kontakten, er farligt og skal repareres.
- c) **Tag stikket ud af strømkilden og/eller fjern batteripakken fra el-værktøjet, før du foretager justeringer, skifter tilbehør eller opbevarer el-værktøj.** Disse forebyggende sikkerhedsforanstaltninger reducerer risikoen for at starte el-værktøjet ved et uheld.
- d) **Opbevar inaktivt el-værktøj uden for børns rækkevidde, og lad ikke personer, der ikke har kendskab til el-værktøjet eller disse instruktioner, betjene værktøjet.** El-værktøjer er farlige i hænderne på utrænede brugere.
- e) **Vedligehold el-værktøjer. Se efter forkert justering eller binding af bevægelige dele, ødelagte dele og enhver anden tilstand, der kan påvirke el-værktøjets drift. Hvis det er beskadiget, bør du få el-værktøjet repareret før brug.** Mange ulykker forårsages af dårligt vedligeholdt el-værktøj.
- f) **Hold skæreværktøj skarpt og rent.** Korrekt vedligeholdte skæreværktøjer med skarpe skærekanter har mindre tilbøjelighed til at binde og er lettere at styre.
- g) **Brug el-værktøj, tilbehør og værktøjsbor osv. i overensstemmelse med disse instruktioner under hensyntagen til arbejdsforholdene og det arbejde, der skal udføres.** Brug af el-værktøjet til andet arbejde end det tilsigtede kan resultere i en farlig situation.
- h) **Hold håndtag og gribeblader tørre, rene og fri fra olie og fedtstof.** Glatte håndtag og gribeblader giver ikke mulighed for sikker håndtering og kontrol af værktøjet i uventede situationer.
- 5) Brug og pleje af værktøjsbatteri**
- a) **Brug kun den oplader, der er specificeret af producenten, til opladning.** En oplader, der er egnet til én type batteripakke, kan forårsage risiko for brand, når den anvendes med en anden batteripakke.
- b) **Brug kun el-værktøj med specifikt udformede batteripakker.** Brug af andre batteripakker kan resultere i risiko for personskader og brand.
- c) **Når batteripakken ikke er i brug, skal den holdes væk fra andre metalgenstande, som f.eks. papirclips, mønter, nøgler, søm, skruer eller andre små metalgenstande, der kan skabe en forbindelse fra den ene terminal til den anden.** Hvis batteriterminalerne kortsluttes, kan det forårsage forbrændinger eller en brand.
- d) **Ved forkert anvendelse kan der slippe væske ud af batteriet; undgå kontakt. Skyl med vand, hvis der skulle opstå kontakt ved et uheld. Søg derudover lægehjælp, hvis der kommer væske ind i øjnene.** Væske fra batteriet kan forårsage irritation eller forbrændinger.
- e) **Brug ikke en batteripakke eller et værktøj, der er beskadiget eller modificeret.** Beskadigede eller modificerede batterier kan udvise uforudsigelig adfærd, hvilket resulterer i brand, eksplosion eller risiko for personskade.
- f) **Undlad at udsætte en batteripakke eller et værktøj for åben ild eller for høj temperatur.**

Udsættelse for åben ild eller temperatur over 130 °C kan forårsage eksplosion. BEMÆRK Temperaturen „130 °C“ kan erstattes af temperaturen „265 °F“.

g) **Følg alle opladningsinstruktioner, og oplad ikke batteripakken eller værktøjet uden for temperaturintervallet specificeret i instruktionerne.**

Forkert opladning eller opladning ved temperaturer uden for det specificerede interval kan beskadige batteriet og øge risikoen for brand.

6) **Service**

- a) **Lad dit el-værktøj blive serviceeret af en kvalificeret reparatør, der kun bruger identiske reservedele.** Dette sikrer, at maskinværktøjet fortsat er sikkert at bruge.
- b) **Foretag aldrig service på beskadigede batteripakker.** Service af batteripakker bør kun udføres af producenten eller autoriserede serviceudbydere.

**EKSTRA SIKKERHEDSANVISNINGER**

- **Stram blandepadlen godt, og fjern nøglen, inden du starter maskinen.**
- **Brug ikke elværktøjet til eksplosive materialer (f.eks. letantændelige opløsningsmidler).** Elværktøj producerer gnister, der kan antænde dampe, som bliver udviklet.
- **Hvis elværktøjet skulle falde ned i det materiale, der skal blandes, skal du straks trække stikket ud øjeblikkeligt og få elværktøjet kontrolleret af en serviceagent.** Materiale, der er trængt ind i elværktøjet, kan forårsage skader og føre til elektrisk stød.
- **Hold maskinen godt fast med begge hænder ved de isolerede gribeplader, mens du arbejder, og hold altid et godt fodfæste og balancen.** Maskinen styres mere sikkert med begge hænder. Tab af kontrol kan resultere i personskader.
- **Hold maskinværktøjet ved de isolerede gribeplader, når du udfører en handling, hvor tilbehøret muligvis kan komme i kontakt med skjulte ledningstråde eller dets egen ledning.** Hvis tilbehøret kommer i kontakt med en strømførende ledning, kan det forårsage at el-værktøjets eksponerede metaldele bliver strømførende og udsætter brugeren for elektrisk stød.
- **Sluk straks for elværktøjet, når værktøjsindsatsen sætter sig fast.** Vær forberedt på højt reaktionsmoment, der kan forårsage tilbageslag. Værktøjsindsatsen sætter sig fast, når:

- elværktøjet underlægges overbelastning, eller
- det bliver kilet ind i arbejdsområdet.

- **Bland ikke mad.** Elværktøj og dets tilbehør er ikke beregnet til behandling af mad.
- **Ledningen skal holdes væk fra arbejdsområdet.** Ledningen kan blive viklet ind af blandepisken.
- **Blandebeholderen skal være velegnet til blanding og skal stå sikkert.** En beholder, der ikke er ordentligt sikret, kan bevæge sig ukontrolleret.
- **Sørg for, at der ikke sprøjter væske mod elværktøjets hus.** Væske, der er trængt ind i elværktøjet, kan forårsage skader og føre til elektrisk stød.
- **Følg instruktionerne og advarslerne i sikkerhedsdatabladene (MSDS) for det materiale, der skal blandes.** Materiale, der skal blandes, kan være skadeligt.
- **I tilfælde af strømsvigt frigøres låsekontakten ved at trykke på tænd/sluk-kontakten.** Dette vil forhindre elværktøjet i utilsigtet opstart (risiko for skade).
- **Brug ikke elværktøjet i et stativ.**

**El-sikkerhed**



*Kontroller altid, at strømforsyningsens spænding stemmer overens med spændingen på ydelsesskiltmærket.*

- Brug ikke maskinen, hvis netledningen eller netstikket er beskadiget.
- Brug kun forlængerledninger, der er velegnede til maskinens effekt med en minimumstykkelse på 1,5 mm<sup>2</sup>. Hvis du bruger en forlængerkabelrulle, skal du altid rulle kablet helt ud.

**2. MASKINOPLYSNINGER**

**Tilsigtet brug**

Maskinen er beregnet til blanding af pulveriserede byggematerialer som mørtel, gips, klæbemidler samt opløsningsmiddelfri maling, lak og lignende stoffer. Forkert brug kan beskadige værktøjet.

**TEKNISKE SPECIFIKATIONER**

Model nr.	PM502AC
Spænding	230-240 V ~
Frekvens	50 Hz
Indgangseffekt	1800 W

Hastighed uden belastning	
Gear 1	180-400/min
Gear 2	300-700/min
Værktøjsmontering	M14
Pisker	Ø 140 mm
Vægt	4,45kg
Lydtrykniveau $L_{PA}$	87,6+3 dB(A)
Lydtrykeffekt $L_{WA}$	98,6+3 dB(A)
Vibration	5,187 +1,5 m/s <sup>2</sup>

### Vibrationsniveau

Det udsendte vibrationsniveau, der er angivet i denne brugsvejledning, er blevet målt i overensstemmelse med en standardiseret test i henhold til EN60745. Den kan bruges til at sammenligne et værktøj med et andet og som en indledende vurdering af eksponering for vibration, når værktøjet bruges til de nævnte anvendelser.

- Når værktøjet bruges til forskellige anvendelser, eller med forskelligt eller dårligt vedligeholdt tilbehør, kan eksponeringsniveauet øges betydeligt.
- De gange, hvor værktøjet er slukket, eller når det er tændt, men ikke bruges til opgaven på det pågældende tidspunkt, kan det reducere eksponeringsniveauet betydeligt.

Beskyt dig mod vibrationseffekterne ved at vedligeholde værktøjet og dets tilbehør, holde dine hænder varme og organisere dine arbejdsmønstre.

### BESKRIVELSE

Tallene i teksten henviser til diagrammerne på side 2.

1. Tænd/sluk-kontakt
2. Låseknop
3. Knap til hastighedsjustering
4. Kontakt til gearvalg
5. Værktøjsholder
6. Håndtag
7. Ventilationsåbninger
8. Piskeskæft
9. Piskepaddel

## 3. MONTERING

### Montering af pisker i to dele (fig. A)

1. Skru piskeskæftet (8) på piskepadlen (9)
2. Stram begge dele godt

### Udskiftning af piskeren (fig. A)



Før monteringen skal du altid slukke for maskinen og trække netstikket ud af kontakten.

Brug kun piskere i overensstemmelse med den specificerede diameter. Brug altid en pisker, der er velegnet til det materiale, der skal blandes/omrøres. Brug af en ikke velegnet blandestang kan unødvendigt overbelaste både maskinen og dig selv.

### Montering af piskeren

1. Skru den monterede pisker ind i værktøjsholderen (5) med uret så langt som muligt.
2. Stram piskeren på værktøjsholderen med de medfølgende skrueøgler. For at gøre dette skal du holde værktøjsholderen (5) med en af de medfølgende skrueøgler og bruge den anden skrueøgle til at stramme den monterede pisker.

### Fjernelse af piskeren

1. Løsn den monterede pisker med de medfølgende skrueøgler. For at gøre dette skal du holde værktøjsholderen (5) med en af de medfølgende skrueøgler og bruge den anden skrueøgle til at løse den monterede pisker.
2. Løsn piskeren fra værktøjsholderen (5) mod urets retning.

## 4. DRIFT

### Tænd og sluk (fig. A)

Tænd/sluk-kontakten (1) bruges til at aktivere maskinen og justere hastigheden.

- Start maskinen ved at trykke og holde på låseknappen (2) og trykke på tænd/slukkontakten (1).
- Stop maskinen ved at slippe tænd/slukkontakten (1).

### Gearvalg (fig. B)

Der kan vælges to mekaniske hastighedsintervaller med kontakten til gearvalg (4):

Gear 1	180-400/min
Gear 2	300-700/min

Det nødvendige gear afhænger af typen af det blandede materiale, og det anbefales at verificere det ved en praktisk test.

### Hastighedsjustering (fig. B)

Den påkrævede hastighed kan justeres ved hjælp af Knap til hastighedsjustering (3). Under drift kan rotationshastigheden også justeres.

- For at øge hastigheden skal du dreje hastighedsindstillingsknappen (3) med uret.
- For at reducere hastigheden skal du dreje hastighedsindstillingsknappen (3) mod uret.

De påkrævede hastigheder afhænger af materialet og kan afgøres gennem praktisk testning.

### Optimal brug

- For materialer med lav viskositet, f.eks. emulsionsmaling, lak, klæbemiddel, fugemasse og cementslam anbefales det at anvende en rørepisker med en såkaldt venstre spiral til optimal brug. Med en venstre spiral bevæges materialet oppefra og ned, og rørepiskeren skubbes opad. Materialer med lav viskositet blandes på en måde, der minimerer stænk, så det anbefales at bruge en lav hastighed (gear 1).
- For materialer med høj viskositet, f.eks. gips, beton, cement, afretningsmasse, fyldstof og epoxyharpiks, anbefales det at anvende en rørepisker med en såkaldt højre spiral til optimal brug. Med en højrevendt spiral bevæges materialet fra bunden opad, og rørepiskeren trækkes nedad (arbejder sig ind i blandingen). Materialer med høj viskositet blandes grundigt, så det anbefales at bruge en høj hastighed (gear 2).
- For optimale resultater skal du bevæge elværktøjet i en op- og nedadgående bevægelse, mens du blander.
- Det anbefales at rengøre piskeren efter brug, f.eks. ved at røre piskeren i en spand fyldt med vand.

## 5. VEDLIGEHOLDELSE



*Afbryd altid maskinen fra netforsyningen, inden der udføres vedligeholdelsesarbejde.*

Rengør maskinbeklædningerne regelmæssigt med en blød klud, helst efter hver anvendelse. Sørg for, at der ikke er støv eller snavs i ventilationsåbningerne.

Fjern snavs, der sidder meget godt fast, med en blød klud, der er fugtet i sæbevand. Brug ikke opløsningsmidler, som f.eks. benzin, sprit, ammoniak osv. Kemikalier som disse beskadiger de syntetiske komponenter.

## MILJØ



*Defekte og/eller bortskaffede elektriske og elektroniske apparater skal afleveres på en passende genbrugsstation.*

### Kun for lande i EU

Maskinværktøj må ikke bortskaffes sammen med husholdningsaffald. Ifølge EC-direktiv 2012/19/EU om affald af elektrisk og elektronisk udstyr og dets gennemførelse i den nationale lovgivning skal maskinværktøjer, der ikke længere anvendes, afleveres separat og bortskaffes på en miljøvenlig måde.

## GARANTI

VONROC-produkter er udviklet til de højeste kvalitetsstandarder og er garanteret fri for defekter i både materialer og udførelse i den periode, der er retsligt angivet fra datoen for det originale køb. Hvis produktet skulle udvikle fejl i denne periode på grund af defekt materiale og/eller udførelse, bedes du kontakte VONROC direkte.

Følgende omstændigheder er udelukket fra denne garanti:

- Uautoriserede servicecentre har foretaget eller gjort forsøg på at foretage reparationer og/eller ændringer på maskinen;
- Normal slitage;
- Værktøjet er blevet misbrugt, brugt forkert eller ikke passende vedligeholdt;
- Der er anvendt ikke-originale reservedele.

Dette udgør den eneste garanti, virksomheden har givet, enten udtrykt eller underforstået. Der er ingen andre garantier, udtrykt eller underforstået, som strækker sig ud over denne, herunder de underforståede garantier for salgbarhed og egnethed til et bestemt formål. Under ingen omstændigheder skal VONROC holdes ansvarlig for tilfældige skader eller følgeskader. Forhandlerens retsmidler skal være begrænset til reparation eller udskiftning af enheder eller dele, der ikke overholder kravene.

**Produktet og brugervejledningen er genstand for ændringer. Specifikationer kan ændres uden yderligere varsel.**

## 1. INSTRUKCJE BEZPIECZEŃSTWA

Należy zapoznać się z ostrzeżeniami dotyczącymi bezpieczeństwa, dodatkowymi ostrzeżeniami i instrukcjami. Niestosowanie się do ostrzeżeń dotyczących bezpieczeństwa może zakończyć się porażeniem przez prąd, pożarem i/lub poważnymi obrażeniami ciała. Ostrzeżenia dotyczące bezpieczeństwa oraz instrukcję należy przechowywać w dostępnym miejscu.

W podręczniku użytkownika urządzenia lub na urządzeniu umieszczono następujące symbole:



*Przeczytać instrukcję obsługi.*



*W razie nie przestrzegania danej instrukcji obsługi może powstać ryzyko zranienia oraz zgnięcia personelu lub uszkodzenia narzędzia.*



*Ryzyko porażenia prądem.*



*Zmienna prędkość elektroniczna.*



*Używać gogli ochronnych.  
Stosować osłonę dla uszu.*



*Noś maskę przeciwpyłową.*



*Maszyna klasy II - Podwójna izolacja - Nie trzeba stosować wtyczek z uziemieniem.*



*Produkt spełnia wymogi odpowiednich norm bezpieczeństwa podanych w dyrektywach UE.*

### OGÓLNE ZALECENIA DOTYCZĄCE BEZPIECZEŃSTWA



**UWAGA! Przeczytać wszystkie ostrzeżenia dotyczące bezpieczeństwa i wszystkie instrukcje.** Nieprzestrzeganie wszystkich poniższych instrukcji może być przyczyną porażenia prądem, pożaru i/lub poważnych obrażeń.

#### Zachowaj poniższe instrukcje.

Termin „elektronarzędzia akumulatorowe” we wszystkich ostrzeżeniach zamieszczonych poniżej odnosi się do elektronarzędzi akumulatorowych zasilanych sieciowo (przewodowych) lub elektronarzędzi akumulatorowych działających na baterie (beprzewodowych).

- 1) **Obszar roboczy**
  - a) **Obszar roboczy należy utrzymywać w czystości.** Powinien on być dobrze oświetlony. Nieład i złe oświetlenie mogą z łatwością doprowadzić do wypadku.
  - b) **Nie korzystaj z elektronarzędzi akumulatorowych w warunkach, w których łatwo może dojść do wybuchu, np. w obecności łatwopalnych cieczy, gazów lub pyłu.** Podczas pracy elektronarzędzi akumulatorowych powstają iskry, które mogą doprowadzić do zapłonu pyłu lub oparów.
  - c) **Dzieci i inne osoby postronne powinny pozostać w bezpiecznej odległości od pracującego urządzenia.** Rozproszenie uwagi może spowodować utratę kontroli nad urządzeniem.
- 2) **Bezpieczeństwo związane z elektrycznością**
  - a) **Wtyczki elektronarzędzi akumulatorowych muszą być odpowiednie do danego gniazda. Pod żadnym pozorem nie należy modyfikować wtyczki w jakikolwiek sposób. Nie należy używać adapterów, które uziemiają elektronarzędzia akumulatorowe.** Stosowanie wtyczek nie poddanych modyfikacjom oraz odpowiednich gniazd zmniejsza ryzyko porażenia prądem.
  - b) **Należy unikać bezpośredniego kontaktu fizycznego z powierzchniami uziemionymi, takimi jak rury, grzejniki, kuchenki, lodówki.** Ryzyko porażenia prądem jest większe, jeśli ciało osoby obsługującej urządzenie jest uziemione.
  - c) **Nie należy wystawiać elektronarzędzi akumulatorowych na działanie deszczu lub wilgoci.** Dostanie się wody do wnętrza elektronarzędzia akumulatorowego zwiększy ryzyko porażenia prądem.
  - d) **Nie należy używać przewodu w niewłaściwy sposób. Pod żadnym pozorem nie należy wykorzystywać przewodu do przenoszenia lub ciągnięcia elektronarzędzia akumulatorowego, ani do jego odłączania od sieci. Przewodu nie należy wystawiać na działanie ciepła, smarów. Powinien on znajdować się w bezpiecznej odległości od ostrych krawędzi i części ruchomych.** Przewody uszkodzone lub poplątane zwiększają ryzyko porażenia prądem.
  - e) **Podczas korzystania z elektronarzędzia akumulatorowego na wolnym powietrzu, należy używać przewodu przedłużacza przystosowanego do użytku na zewnątrz.** Używanie przewodu

- nadającego się do użytku na wolnym powietrzu zmniejsza ryzyko porażenia prądem.
- f) **Jeśli obsługa elektronarzędzia w wilgotnym miejscu jest nieunikniona, użyć zasilania wyposażonego w wyłącznik różnicowo-prądowy.** Użycie wyłącznika różnicowo-prądowego zmniejsza ryzyko porażenia prądem.
- 3) Bezpieczeństwo osoby obsługującej urządzenie**
- a) **Przez cały czas należy mieć się na baczności, uważać na to, co się robi, a w czasie obsługi elektronarzędzia akumulatorowego postępować mając na uwadze zdrowy rozsądek. Urządzenia nie powinny obsługiwać osoby zmęczone lub będące pod wpływem narkotyków, alkoholu lub leków.** Chwila nieuwagi w czasie obsługi elektronarzędzi akumulatorowych może być przyczyną powstania poważnych obrażeń ciała.
- b) **Należy korzystać ze sprzętu ochronnego oraz zawsze nosić okulary ochronne.** Sprzęt ochronny, jak na przykład maska przeciwpyłowa, antypoślizgowe obuwie ochronne, kask lub słuchawki ochronne używany we właściwych sytuacjach pozwoli na zmniejszenie ryzyka obrażeń ciała.
- c) **Unikać niezamierzonego uruchomienia. Przed podłączeniem urządzenia do sieci, zawsze sprawdzić, czy przełącznik znajduje się w pozycji „wyłączony”.** Przenoszenie elektronarzędzi z palcem na przełączniku lub włączonych elektronarzędzi z przełącznikiem w położeniu włączenia jest bardzo niebezpieczne i może powodować wypadki.
- d) **Przed włączeniem elektronarzędzia akumulatorowego należy usunąć z niego wszystkie klucze nastawcze lub maszynowe.** Pozostawienie klucza zamocowanego na jednej z części obrotowych urządzenia może spowodować powstanie obrażeń ciała.
- e) **Nie należy sięgać ponad urządzeniem. Przez cały czas należy zachować odpowiednią równowagę i zapewnić odpowiednie oparcie dla stóp.** Pozwoli to na lepsze kontrolowanie urządzenia w nieoczekiwanych sytuacjach.
- f) **Należy nosić odpowiednie ubranie. Do pracy z urządzeniem nie wkładać luźnych ubrań ani biżuterii. Włosy, ubranie i rękawiczki trzymać z dala od części ruchomych.** Luźne części ubrania, biżuteria lub długie włosy mogą zostać wciągnięte przez części ruchome.
- g) **Jeśli w urządzeniu przewidziano elementy służące do odprowadzania i zbierania pyłu, należy sprawdzić, czy są podłączone, i czy działają we właściwy sposób.** Korzystanie z tego typu elementów pozwala ograniczyć ryzyko związane z wydzielaniem pyłu podczas pracy urządzenia.
- h) **Nie zezwalać na to, aby rutyna związana z częstym korzystaniem z narzędzi powodowała nadmierną pewność siebie i ignorowanie zasad bezpiecznego korzystania z narzędzi.** Nieodpowiedzialne działanie może spowodować poważne obrażenia ciała w ułamku sekundy.
- 4) Obsługa i konserwacja elektronarzędzi akumulatorowych**
- a) **Urządzenia nie należy przeciążać. Należy korzystać z narzędzia odpowiedniego do danego typu pracy.** Odpowiednio dobrane urządzenie pozwoli na lepsze i bezpieczniejsze wykonanie pracy, we właściwym dla urządzenia tempie.
- b) **Z elektronarzędzia akumulatorowego nie należy korzystać, jeśli nie można go wyłączyć i wyłączyć przy pomocy przełącznika.** Urządzenie, którego nie można kontrolować używając przełącznika jest niebezpieczne i powinno być oddane do naprawy.
- c) **Przed przystąpieniem do regulowania elektronarzędzi akumulatorowych, wymiany akcesoriów lub przygotowywania urządzeń do okresu przechowywania, należy odłączyć wtyczkę od źródła zasilania.** Tego typu środki ostrożności zmniejszają ryzyko przypadkowego uruchomienia urządzenia.
- d) **Nieczynne elektronarzędzia akumulatorowe należy przechowywać poza zasięgiem dzieci. Nie należy pozwolić, aby osoby nie znające urządzenia lub niniejszych instrukcji obsługi włączyły urządzenie.** Elektronarzędzia akumulatorowe w rękach niekompetentnych użytkowników stanowią zagrożenie.
- e) **Elektronarzędzia akumulatorowe należy utrzymywać w dobrym stanie technicznym. Należy sprawdzić, czy części ruchome są właściwie założone, i czy się nie zacinają. Należy również sprawdzić, czy jakieś części nie są uszkodzone oraz sprawdzać wszelkie inne elementy, które mogą wpłynąć na pracę urządzeń. Jeśli urządzenie jest uszkodzone, przed przystąpieniem do jego użytkowania, należy je naprawić.** Częstą przyczyną wypadków jest żyły stan techniczny urządzeń.
- f) **Narzędzia służące do cięcia powinny być naostrzone i utrzymywane w czystości. Jeśli**



narzędzia służące do cięcia, które posiadają ostre krawędzie tnące, są właściwie konserwowane, istnieje mniejsze prawdopodobieństwo ich zacinania się. Ponadto, łatwiej je kontrolować.

- g) **Elektronarzędzia akumulatorowego, akcesoriów, nakładek, itp. należy używać zgodnie z niniejszymi instrukcjami oraz w sposób właściwy dla danego rodzaju urządzenia, z u wzięciem warunków pracy oraz jej rodzaju.** Używanie urządzenia niezgodnie z przeznaczeniem może prowadzić do powstania sytuacji niebezpiecznych.
- h) **Uchwyty należy utrzymywać w stanie suchym, czystym i niezabrudzonym olejem lub smarem.** Śliskie uchwyty i powierzchnie do chwytania nie pozwalają na bezpieczne obchodzenie się z narzędziem i panowanie nad nim w nieoczekiwanych sytuacjach.
- 5) **Użytkowanie i konserwacja urządzenia zasilanego akumulatorami**
- a) **Ładować tylko przy użyciu ładowarki określonej przez producenta.** Ładowarka przewidziana dla jednego rodzaju akumulatorów stwarza ryzyko pożaru w przypadku użycia jej z innym zestawem akumulatorów.
- b) **Należy używać jedynie akumulatorów przeznaczonych dla danego urządzenia.** Użycie innych akumulatorów stwarza ryzyko wystąpienia obrażeń ciała lub pożaru.
- c) **Kiedy akumulatorki nie są używane, należy przechowywać je z dala od przedmiotów metalowych, takich jak spinacze do papieru, monety, klucze, gwoździe, śruby lub inne niewielkie przedmioty metalowe, które mogłyby spowodować zwarcie pomiędzy stykami.** Zwarcie styków akumulatorka może spowodować pożar.
- d) **W przypadku przecięcia z akumulatorka może wycieknąć płyn; nie należy go dotykać. W razie przypadkowego kontaktu przemyć skórę wodą. W przypadku dostania się płynu do oczu należy skontaktować się z lekarzem.** Płyn z akumulatorka może powodować podrażnienia lub oparzenia.
- e) **Nie używać uszkodzonego ani zmodyfikowanego akumulatora lub narzędzia.** Uszkodzone lub zmodyfikowane akumulatory mogą działać w sposób nieoczekiwany, co może powodować pożar, wybuch lub ryzyko obrażeń ciała.
- f) **Nie wystawiać akumulatora ani narzędzia na działanie płomienia lub zbyt wysokiej temperatury.** Narażenie na działanie płomienia lub temperatury powyżej 130°C może spowodować wybuch.

UWAGA Temperaturę „130 °C“ można zastąpić temperaturą „265 °F“.

- g) **Przestrzegać wszystkich instrukcji ładowania i nie ładować akumulatora ani narzędzia poza zakresem temperatury podanym w instrukcji.** Nieprawidłowe ładowanie lub ładowanie w temperaturze poza podanym zakresem może spowodować uszkodzenie akumulatora i zwiększyć ryzyko pożaru.
- 6) **Serwis**
- a) **Zlecać serwisowanie elektronarzędzie wykwalifikowanemu technikowi stosującymi jedynie części zamienne identyczne z oryginalnymi.** Zapewni to zachowanie bezpieczeństwa elektronarzędzia.
- b) **Nigdy nie serwisować uszkodzonych akumulatorów.** Serwisowanie akumulatorów może przeprowadzać wyłącznie producent lub autoryzowany serwis.

#### DODATKOWE INSTRUKCJE BEZPIECZEŃSTWA

- **Mocno dokręcić mieszadło i wyjąć klucz przed uruchomieniem narzędzia.**
- **Nie używać narzędzia do materiałów wybuchowych (np. łatwopalnych rozpuszczalników).** Elektronarzędzia wytwarzają iskry, które mogą spowodować zapłon powstających oparów.
- **Jeśli elektronarzędzie wpadnie w mieszany materiał, niezwłocznie odłączyć wtyczkę z gniazdka i zlecić kontrolę narzędzia w autoryzowanym serwisie.** Jeśli do wnętrza narzędzia przedostanie się mieszana substancja, może dojść do uszkodzeń i porażenia prądem.
- **Mocno trzymać narzędzie oburącz za izolowane powierzchnie do chwytania podczas pracy i zawsze utrzymywać dobre podparcie stóp i odpowiednio wyważoną pozycję.** Maszynę pewniej prowadzi się oburącz. Utrata panowania nad narzędziem może powodować obrażenia ciała.
- **Trzymać narzędzie za izolowane powierzchnie do chwytania podczas wykonywania prac, podczas których akcesorium może zetknąć się z ukrytym okablowaniem lub przewodem narzędzia.** Zetknięcie się akcesorium z przewodem pod napięciem może sprawić, że odsonięte metalowe części narzędzia również będą pod napięciem i spowodować porażenie operatora prądem.
- **Wyłączyć elektronarzędzie niezwłocznie w razie utknięcia akcesorium.** Być gotowym na wysoki

moment obrotowy, który może spowodować odrzut narzędzia. Akcesorium narzędziowe utoyka:

- w przypadku przeciążenia elektronarzędzia lub
- w wyniku zablokowania akcesorium w obrabianym elemencie.
- **Nie mieszać żywności.** Elektronarzędzia i ich akcesoria nie są przeznaczone do przetwarzania żywności.
- **Trzymać kabel zasilający z dala od miejsca pracy.** Kabel może się wplątać w mieszadło.
- **Pojemnik do mieszania musi nadawać się do mieszania i stać stabilnie.** Niezabezpieczony pojemnik może poruszać się w sposób niekontrolowany.
- **Dopilnować, aby na obudowę elektronarzędzia nie przyskał żaden płyn.** Jeśli do wnętrza narzędzia przedostanie się ciecz, może dojść do uszkodzeń i porażenia prądem.
- **Przestrzegać instrukcji i ostrzeżeń z karty charakterystyki (MSDS) mieszanego materiału.** Mieszany materiał może być szkodliwy.
- **W razie przerwy w zasilaniu zwolnić blokadę włącznika, wciskając włącznik.** Zapobiegnie to niezamierzonemu ponownemu uruchomieniu narzędzia (ryzyko obrażeń ciała).
- **Nie używać elektronarzędzia zamocowanego w stojaku.**

#### Bezpieczeństwo elektryczne



Zawsze sprawdzać, czy napięcie w sieci odpowiada napięciu na tabliczce znamionowej urządzenia.

- Nie używać urządzenia, jeśli przewód zasilający lub wtyczka jest uszkodzona.
- Używać wyłączników takich przedłużaczy, które są odpowiednie dla mocy znamionowej urządzenia, o średnicy minimum 1,5 mm<sup>2</sup>. W przypadku używania przedłużacza na szpuli, całkowicie rozwinąć przewód.

## 2. INFORMACJE O MASZYNIE

#### Przeznaczenie

Narzędzie jest przeznaczone do mieszania sproszkowanych materiałów budowlanych, jak zaprawa murarska, tynk, kleje oraz niezawierających rozpuszczalników farb, lakierów itp. substancji.

Niewłaściwa eksploatacja może doprowadzić do uszkodzenia narzędzia.

#### DANE TECHNICZNE

Nr modelu	PM502AC
Napięcie w sieci	230-240V ~
Częstotliwość w sieci	50Hz
Pobór mocy	1800W
Prędkość bez obciążenia	
Bieg 1	180-400/min
Bieg 2	300-700/min
Uchwyt narzędziowy	M14
Mieszadła	Ø 140mm
Masa	4.45 kg
Ciśnienie dźwięku (L <sub>PA</sub> )	87.6+3 dB(A)
Moc akustyczna (L <sub>WA</sub> )	98.6+3 dB(A)
Wibracje	5.187+1.5 m/s <sup>2</sup>

#### Poziom drgań

Poziom emisji drgań podany w tej instrukcji obsługi został zmierzony zgodnie ze standaryzowanym testem podanym w normie EN 60745; może on służyć do porównywania narzędzi ze sobą oraz do wstępnego oszacowania ekspozycji na drgania podczas użytkowania narzędzia do podanych zastosowań

- używanie narzędzia do innych zastosowań lub z innymi lub źle konserwowanymi akcesoriami może znacząco zwiększać poziom ekspozycji
- okresy, gdy narzędzie jest wyłączone lub okresy, gdy jest włączone, ale nie pracuje, mogą znacząco zmniejszać poziom ekspozycji

Chronić się przed wpływem drgań, konserwując odpowiednio narzędzie i akcesoria, utrzymując ciepłotę dłoni oraz odpowiednio organizując pracę.

#### OPIS

Liczby w tekście odnoszą się do rysunków na stronie 2.

1. Przełącznik wł./wył.
2. Przycisk wyłączania blokady
3. Pokrętko regulacji prędkości
4. Przełącznik wyboru biegu
5. Uchwyt narzędziowy
6. Uchwyt

7. Otwory wentylacyjne
8. Trzon mieszadła
9. Koszyk mieszadła

### 3. MONTAŻ

#### Montaż mieszadła dwuczściowego (Fig. A)

1. Nakręcić trzon mieszadła (8) na koszyk mieszadła (9)
2. Mocno dokręcić obie części

#### Wymiana mieszadła (Fig. A)



Przed rozpoczęciem montażu zawsze wyłączać maszynę i wyjmować wtyczkę zasilania sieciowego z gniazdka.

Używać tylko mieszadła o podanej średnicy. Zawsze używać tylko mieszadła dopasowanego do materiału do mieszania. Użycie nieodpowiedniego mieszadła może spowodować przeciążenie maszyny i użytkownika.

#### Montaż mieszadła

1. Wkręcić zmontowane mieszadło w uchwyt narzędziowy (5) przeciwnie do wskazówek zegara do oporu.
2. Dokręcić mieszadło w narzędziu za pomocą dołączonych kluczy. Aby to zrobić, trzymać uchwyt narzędziowy (5) jednym z dołączonych kluczy, a następnie dokręcić zmontowane mieszadło drugim kluczem.

#### Demontaż mieszadła

1. Poluzować zmontowane mieszadło dołączonymi do zestawu kluczami. Aby to zrobić, trzymać uchwyt narzędziowy (5) jednym z dołączonych kluczy, a następnie poluzować zmontowane mieszadło drugim kluczem.
2. Wykręcić mieszadło z uchwytu narzędziowego (5) przeciwnie do wskazówek zegara.

### 4. OBSŁUGA

#### Włączanie i wyłączanie (Fig. A)

Włącznik (1) służy do włączania narzędzia i regulacji prędkości.

- Aby włączyć maszynę, wcisnąć i przytrzymać przycisk wyłączania blokady (2) i wcisnąć włącznik (1).
- Aby zatrzymać maszynę, zwolnić włącznik (1).

#### Wybór biegu (Rys. B)

Dwa mechaniczne zakresy prędkości można wybrać przełącznikiem wyboru biegu (4):

Bieg 1 180 – 400/min.

Bieg 2 300 – 700/min.

Wymagana prędkość zależy od rodzaju mieszanej substancji. Zaleca się wcześniejsze wykonanie próby.

#### Regulacja prędkości (Rys. B)

Żądaną prędkość można ustawić za pomocą pokrętła regulacji prędkości (3). Prędkość można regulować również podczas pracy narzędzia.

- Aby zwiększyć prędkość, obrócić pokrętło regulacji prędkości (3) zgodnie ze wskazówkami zegara.
- Aby zmniejszyć prędkość, obrócić pokrętło regulacji prędkości (3) przeciwnie do wskazówek zegara.

Wymagana prędkość zależy od materiału i można ją stwierdzić, wykonując testy praktyczne.

#### Optymalne stosowanie

- W przypadku materiałów o niskiej lepkości, np. farb emulsyjnych, lakierów, pokostów, klejów, zaprawy i zaczynu cementowego, zaleca się zastosowanie mieszadła ze spiralą lewą w celu uzyskania optymalnych rezultatów. Spirala lewa zapewnia przemieszczanie materiału od góry do dołu i popychanie mieszadła do góry. Materiały o niskiej lepkości są wtedy mieszane w sposób ograniczający pryskanie, dlatego zalecamy stosowanie niskiego biegu (biegu 1.).
- W przypadku materiałów o wysokiej lepkości, np. tynku, betonu, cementu, wylewek, wypełniaczy i żywic epoksydowych, zaleca się zastosowanie mieszadła ze spiralą prawą w celu uzyskania optymalnych rezultatów. Spirala prawa zapewnia przemieszczanie materiału od dołu do góry i pociąganie mieszadła w dół (i jego stopniowe wprowadzanie w mieszanę). Materiały o wysokiej lepkości są wtedy dokładnie mieszane, dlatego zalecamy stosowanie wysokiego biegu (biegu 2.).
- Aby uzyskać optymalne rezultaty, przesuwając narzędzie do góry i w dół podczas mieszania.
- Zalecamy oczyszczenie mieszadła po użyciu, np. poprzez użycie go do mieszania w wiadrze wypełnionym wodą.

## 5. KONSERWACJA



*Zawsze odłączyć narzędzie od zasilania sieciowego przed rozpoczęciem przeprowadzania jakichkolwiek prac konserwacyjnych.*

Czyścić obudowę narzędzia regularnie miękką ściereczką, najlepiej po każdym użyciu. Dopilnować, aby otwory wentylacyjne były wolne od pyłu i zanieczyszczeń. Usuwać uporczywe zanieczyszczenia miękką ściereczką, lekko nawilżoną wodą z mydłem. Nie używać żadnych rozpuszczalników, jak benzyna, alkohol, amoniak itp., gdyż tego typu chemikalia powodują uszkodzenia części z tworzyw sztucznych.

## SRODOWISKO



*Uszkodzone i/lub niepotrzebne urządzenia elektryczne lub elektroniczne podlegają zbiórce w odpowiednich punktach recyklingu.*

### Tylko kraje WE

Nie wyrzucac elektronarzędzi wraz z odpadami z gospodarstw domowych. Zgodnie z dyrektywa 2012/19/WE dotycząca zużytych urządzeń elektrycznych i elektronicznych oraz jej wdrożeniem do prawodawstwa krajowego, elektronarzędzia, które już nie nadają się do użytku, podlegają oddzielnej zbiórce oraz utylizacji w sposób przyjazny dla środowiska.

## GWARANCJA

Produkty VONROC są wytwarzane zgodnie z najwyższymi standardami jakości i producent udziela gwarancji na wady materiałowe i wady wykonania na okres wymagany prawem, licząc od dnia zakupu. Jeśli wystąpi usterka produktu w tym okresie spowodowana wadą materiałową i/lub wadą wykonania, proszę bezpośrednio skontaktować się ze sprzedawcą VONROC.

Następujące okoliczności powodują unieważnienie gwarancji:

- Przeprowadzono naprawy lub modyfikacje narzędzia w serwisie innym lub autoryzowany lub podjęto ich próbę;
- Normalne zużycie nie jest objęte gwarancją;
- Narzędzie było używane niezgodnie z przeznaczeniem, źle z nim się obchodzono lub było nieprawidłowo konserwowane;
- Użyto części zamiennych innych niż oryginalne.

Niniejsza gwarancja to wyłączna gwarancja producenta i nie obowiązują żadne inne wyrażone ani dorozumiane gwarancje. Nie obowiązują żadne inne wyrażone ani dorozumiane gwarancje o zakresie przekraczającym niniejszą gwarancję, co obejmuje dorozumiane gwarancje przydatności do sprzedaży i przydatności do określonego celu. W żadnym przypadku firma VONROC nie ponosi odpowiedzialności za straty przypadkowe lub wynikowe. Zadośćuczynienie sprzedawcy jest ograniczone do naprawy lub wymiany niezgodnych urządzeń lub części.

**Produkt i instrukcja obsługi podlegają zmianom. Dane techniczne podlegają zmianom bez uprzedzenia.**

## 1. INSTRUCȚIUNI DE SIGURANȚĂ

Citiți avertizările de siguranță, avertizările de siguranță suplimentare și instrucțiunile. Nerespectarea avertizărilor de siguranță poate cauza producerea de electrocutări, incendii și/sau răniri grave. Păstrați avertizările de siguranță și instrucțiunile pentru referințe viitoare.

În manualul de utilizare sau pe produs se utilizează următoarele simboluri:



*Citiți manualul de utilizare.*



*Indică riscul de rănire, pierderea vieții sau deteriorarea sculei în cazul în care nu se respectă instrucțiunile din acest manual.*



*Pericol de electrocutare.*



*Turație electronică variabilă.*



*Purtați ochelari de protecție.  
Purtați protecții antifonice.*



*Purtați o mască antipraf.*



*Mașină din clasa II - Izolație dublă -  
Nu este necesară o priză cu împământare.*



*Produsul este în conformitate cu standardele de siguranță aplicabile din directivele europene.*

### AVERTISMENTE GENERALE DE SIGURANȚĂ PRIVIND UNELTELE ELECTRICE



**AVERTISMENT! Citiți toate avertismentele de siguranță și toate instrucțiunile.**

*Nerespectarea avertismentelor și instrucțiunilor poate cauza producerea de electrocutări, incendii și/sau răniri grave.*

**Păstrați toate avertismentele și instrucțiunile pentru consultare ulterioară.** Termenul „unealtă electrică” din avertismente se referă la scula electrică (cu fir) sau la unealta electrică cu baterie (fără fir).

#### 1) Siguranța zonei de lucru

- Păstrați zona de lucru curată și bine iluminată.** Zonele dezordonate sau întunecate duc la accidente.

- Nu operați uneltele electrice în atmosfere explozive, cum ar fi în prezența lichidelor, gazelor sau pulberilor explozive.** Uneltele electrice generează scânteii care pot aprinde pulberea sau fumurile inflamabile.
- Țineți la distanță copiii și persoanele din jur în timp ce operați o unealtă electrică.** Distragerile vă pot cauza pierderea controlului.

#### 2) Siguranța electrică

- Ștecherile uneltelor electrice trebuie să se potrivească cu priza. Nu modificați niciodată în nici un fel mufele. Nu folosiți adaptoare de priză cu scule electrice legate de pământ (împământate).** Mufele nemodificate și prizele adecvate reduc riscul șocului electric.
- Evitați contactul corpului cu suprafețele împământate precum țevi, radiatoare, cuptoare și frigidere.** Există un risc mai mare de electrocutare dacă vă este corpul împământat.
- Nu expuneți uneltele electrice la ploaie sau condiții de umezeală.** Apa care pătrunde într-o unealtă electrică va spori riscul de electrocutare.
- Nu manipulați necorespunzător cablul. Nu folosiți niciodată cordonul pentru a purta, a trage sau a deconecta unealta. Feriți cordonul de căldură, ulei, margini ascuțite sau piese mobile.** Cordoane distruse sau încurcate cresc riscul de electrocutare.
- Atunci când operați o unealtă de lucru în aer liber, utilizați un prelungitor pentru exterior.** Folosirea unui cordon adecvat pentru uzul în aer liber scade riscul de electrocutare.
- În cazul în care operarea unei unelte electrice într-un spațiu cu umiditate nu poate fi evitată, utilizați o alimentare cu protecție pentru dispozitivele de curent rezidual (RCD).** Utilizarea unui RCD reduce riscul de electrocutare.

#### 3) Siguranța personală

- Fiți precauți, fiți atenți la ceea ce faceți și respectați regulile de bun simț atunci când operați o unealtă electrică. Nu folosiți unealta electrică atunci când sunteți obosit sau sub influența drogurilor, alcoolului sau unui tratament medicamentos.** Un moment de neatenție în timpul operării uneltelor electrice poate cauza vătămări corporale grave.
- Utilizați echipamentul de protecție corporală. Purtați întotdeauna protecție pentru ochi.**

- Echipamentul de protecție precum masca de praf, pantofii de protecție antiderapați, casca de protecție sau protecția auzului utilizate în condiții adecvate vor reduce rănilor personale.
- c) **Preîntâmpinați pornirea accidentală. Asigurați-vă că comutatorul este în poziția-oprit înainte de a vă conecta la sursa de alimentare și / sau la baterie, de a ridica sau purta instrumentul.** Purtarea de unelte electrice ținând degetul pe comutator sau alimentarea uneltelor electrice care au comutatorul pornit duce la accidente.
- d) **Îndepărtați orice cheie sau clește de reglare înainte de a porni unealta electrică.** Un clește sau o cheie lăsată atașată unei piese rotative a unelei electrice poate cauza vătămări corporale.
- e) **Nu vă întindeți pentru a utiliza unealta de lucru. Mențineți-vă întotdeauna stabilitatea și echilibrul.** Acest lucru permite un control mai bun al unelei electrice în situații neașteptate.
- f) **Îmbrăcați-vă corespunzător. Nu purtați haine largi sau bijuterii. Țineți-vă părul, îmbrăcămintea și mănușile departe de piesele mobile.** Hainele largi, bijuteriile sau părul lung pot fi prinse în părțile mobile.
- g) **În cazul în care dispozitivele prezintă posibilitatea conectării de accesorii pentru aspirația și colectarea prafului, asigurați-vă că aceste accesorii sunt conectate și utilizate în mod corespunzător.** Utilizarea colectării prafului poate reduce pericolele legate de praf.
- h) **Nu lăsați ca obișnuința obținută prin utilizarea frecventă a uneltelor să vă permită să deveniți impasibil și să ignorați principiile de siguranță în utilizarea uneltelor.** O acțiune neglijentă poate provoca accidente grave într-o fracțiune de secundă.
- 4) Utilizarea și îngrijirea uneltelor electrice**
- a) **Nu forțați unealta electrică. Utilizați unealta electrică adecvată aplicației dvs.** Unealta electrică corectă va face munca mai bine și mai sigură la rata pentru care a fost proiectată.
- b) **Nu utilizați unealta electrică în cazul în care întrerupătorul nu comută în poziția pornit și oprit.** Orice unealtă electrică care nu poate fi controlată cu comutatorul este periculoasă și trebuie reparată.
- c) **Deconectați ștecherul de la sursa de alimentare și/sau acumulatorul de la unealta electrică înainte de efectuarea oricărui reglaje, modificării accesoriilor sau depozitării uneltelor electrice.** Aceste măsuri preventive de precauție reduc riscul de pornire accidentală.
- d) **Nu depozitați uneltele electrice în stare inactivă la îndemâna copiilor și nu permiteți persoanelor nefamiliarizate cu unealta de lucru sau cu aceste instrucțiuni să o utilizeze.** Uneltele electrice sunt periculoase în mâinile utilizatorilor neinstruiți.
- e) **Efectuați întreținerea uneltelor electrice. Verificați alinierea sau configurarea greșită a pieselor mobile, ruperea pieselor și orice alte condiții care ar putea afecta funcționarea unelei electrice. În cazul deteriorării, reparați unealta electrică înainte de uz.** Multe accidente sunt cauzate de unelte electrice slab întreținute.
- f) **Păstrați uneltele de tăiat ascuțite și curate.** Uneltele de tăiat corect întreținute cu muchii ascuțite au mai puține șanse să se lege și sunt mai ușor de controlat.
- g) **Utilizați unealta electrică, accesoriile și cuțitele unelei etc. conform acestor instrucțiuni, ținând cont de condițiile de lucru și de lucrarea ce trebuie să fie efectuată.** Folosirea unelei electrice pentru operații diferite decât celea destinate pot cauza o situație periculoasă.
- h) **Țineți mânerul și suprafețele de prindere uscate, curate și lipsite de ulei și unsoare.** Mânere și suprafețele de prindere alunecoase nu permit manipularea și controlul unelei în de siguranță în situații neașteptate.
- 5) Utilizarea și îngrijirea uneltelor cu acumulator**
- a) **Reîncărcați folosind exclusiv încărcătorul specificat de către producător.** Dacă un încărcător conceput pentru un anumit tip de acumulator este folosit cu alt acumulator, acest lucru poate genera risc de incendiu.
- b) **Utilizați uneltele electrice exclusiv împreună cu acumulatorii specificați.** Utilizarea altor acumulatori poate cauza risc de rănire și incendiu.
- c) **Atunci când nu folosiți acumulatorul, păstrați-l ferit de alte obiecte metalice, precum agrafe de birou, monede, chei, cuie, șuruburi sau alte obiecte metalice mici care pot realiza conexiunea între cele două borne.** Scurtcircuitarea bornelor bateriei poate cauza arsuri sau incendiu.
- d) **În condiții de utilizare incorectă, este posibil să fie evacuat lichid din baterie; evitați contactul cu acesta. În cazul în care se produce acciden-**

tal contactul, clătiți cu apă. Dacă lichidul intră în contact cu ochii, solicitați ajutor medical suplimentar. Lichidul scurs din acumulator poate cauza iritații sau arsuri.

- e) **Nu folosiți un acumulator sau o unealtă care este deteriorată sau modificată.** Acumulatorii deteriorați sau modificați pot avea un comportament imprezvizibil care rezultă în foc, explozie sau risc de rănire.
- f) **Nu expuneți acumulatorul sau unealta la foc sau temperatură excesivă.** Expunerea la foc sau temperaturi de peste 130 °C poate provoca explozie. OBSERVAȚIE Temperatura „130 °C” poate fi înlocuită cu temperatura „265 °F”.
- g) **Respectați toate instrucțiunile de încărcare și nu încărcați acumulatorul sau unealta în afara intervalului de temperatură specificat în instrucțiuni.** Încărcarea necorespunzătoare sau la temperaturi în afara domeniului specificat poate deteriora acumulatorul și poate crește riscul de incendiu.

## 6) Service

- a) **Prevedeți repararea unelei de lucru de către o persoană calificată, folosind exclusiv piese de schimb identice.** Acest lucru va garanta păstrarea în siguranță a unelei electrice.
- b) **Niciodată nu servișați acumulatorii deteriorați.** Servisarea acumulatorilor ar trebui să fie efectuată numai de către producător sau furnizorii autorizați de service.

## INSTRUCȚIUNI SUPLIMENTARE DE SIGURANȚĂ

- **Strângeți bine paleta de amestecare și îndepărtați cheia înainte de a porni mașina.**
- **Nu utilizați unealta electrică pentru materiale explozive (de exemplu, solvenți ușor inflamabili).** Unelele electrice produc scântei care ar putea aprinde vaporii care se formează.
- **În cazul în care unealta electrică ar cădea în materialul care trebuie amestecat, scoateți imediat ștecherul și verificați unealta electrică de către un agent de service post-vânzare.** Materialul care a pătruns în unealta electrică poate provoca daune și duce la șocuri electrice.
- **Țineți mașina bine cu ambele mâini de suprafețele de prindere izolate în timp ce lucrați și mențineți echilibrul și poziția corespunzătoare în permanență.** Mașina este ghidată mai bine cu

ambele mâini. Pierderea controlului poate duce la rănire personală.

- **Țineți unealta electrică departe de suprafețele izolate pentru prindere atunci când efectuați o operație în care accesoriul poate atinge cabluri ascunse sau propriul cablu de alimentare.** Tăierea unui cablu sub tensiune de către accesoriul de debitat ar putea determina scurgerea curentului în componentele metalice expuse ale unelei electrice și ar putea electrocuta operatorul.
- **Opriiți imediat unealta electrică când se blochează.** Fiți pregătit pentru cuplu mare de reacție, care ar putea provoca recul. Blocarea unelei apare atunci când:
  - unealta electrică este suprasolicitată sau
  - se blochează în piesa de prelucrat.
- **Nu amestecați alimente.** Unelele electrice și accesoriile acestora nu sunt concepute pentru procesarea alimentelor.
- **Țineți cablul la distanță față de zona de lucru.** Cablul poate fi prins de mașina de amestecat.
- **Recipientul de amestecare trebuie să fie adecvat pentru amestecare și trebuie să stea în condiții de siguranță.** Un recipient care nu este asigurat în mod corect se poate deplasa necontrolat.
- **Asigurați-vă că lichidul nu stropește carcasa aparatului electric.** Lichidul care a pătruns în unealta electrică poate provoca daune și duce la șocuri electrice.
- **Respectați instrucțiunile și avertismentele din Fișele tehnice de securitate (MSDS) ale materialului care trebuie amestecat.** Materialul care trebuie amestecat poate fi dăunător.
- **În cazul unei întreruperi de alimentare, eliberați comutatorul de blocare apăsând comutatorul de pornire/oprire.** Acest lucru va împiedica repornirea neintenționată a unelei electrice (risc de rănire).
- **Nu utilizați unealta electrică cu un suport.**

## Instrucțiuni de siguranță privind alimentarea electrică



*Verificați întotdeauna ca tensiunea de la alimentarea cu energie să corespundă tensiunii de pe plăcuța cu etichetă specificată.*

- Nu utilizați aparatul în cazul în care cablul de alimentare sau ștecherul este deteriorat sau defect.

- Folosiți numai cabluri prelungitoare adecvate pentru puterea mașinii cu o grosime minimă de 1,5 mm<sup>2</sup>. Dacă utilizați o bobină de cablu de extensie, derulați întotdeauna complet cablul.

## 2. INFORMAȚII CU PRIVIRE LA MAȘINA

### Domeniul de utilizare

Mașina este destinată amestecării materialelor de construcție pulverizate, cum ar fi mortar, tencuială, adezivi, precum și vopsea fără solvent, lac și substanțe asemănătoare. Utilizarea necorespunzătoare poate deteriora instrumentul.

### SPECIFICAȚII TEHNICE

Nr. model	PM502AC
Tensiune	230-240 V ~
Frecvență	50Hz
Puterea de alimentare	1800W
Turație în gol	Treapta 1 180-400/min Treapta 2 300-700/min
Suport unealtă	M14
Omogenizator	Ø 140 mm
Greutate	4,45 kg
Nivelul presiunii sonore L <sub>PA</sub>	87,6+3 dB(A)
Nivelul puterii sonore L <sub>WA</sub>	98,6+3 dB(A)
Vibrație	5,187+1,5 m/s <sup>2</sup>

### Nivelul vibrațiilor

Nivelul emisiilor de vibrații menționat în acest manual de instrucțiuni a fost măsurat în conformitate cu un test standardizat precizat în EN60745; poate fi folosit pentru a compara o sculă cu alta și ca evaluare preliminară a expunerii la vibrații atunci când folosiți unealta pentru aplicațiile menționate.

- Utilizarea sculei pentru aplicații diferite sau cu accesorii diferite și prost întreținute, poate crește semnificativ nivelul de expunere.
- Momentele în care scula este oprită sau când funcționează dar nu execută nicio lucrare, pot reduce semnificativ nivelul de expunere.

Protejați-vă împotriva efectelor vibrațiilor prin întreținerea sculei și a accesoriilor sale, păstrând mâinile calde și organizând procesele de lucru.

### DESCRIERE

Numerele din text se referă la diagramele de la pagina 2.

1. Comutator pornire/oprire
2. Buton blocare
3. Rotiță de reglare a vitezei
4. Comutator selector viteză
5. Portunealtă
6. Mâner
7. Orificii de ventilație
8. Arbore de omogenizator
9. Paletă de omogenizator

## 3. MONTAREA

### Asamblarea omogenizatorului din două părți (Fig. A)

1. Înșurubați arborele de omogenizator (8) pe paleta de omogenizator (9)
2. Strângeți bine ambele piese

### Înlocuirea omogenizatorului (Fig. A)



*Înainte de asamblare, opriți alimentarea electrică a mașinii și deconectați fișa cablului de alimentare de la priza de rețea.*

Utilizați numai omogenizatoare în conformitate cu diametrul specificat. Utilizați întotdeauna un omogenizator potrivit pentru material de amestecat/omogenizat. Folosirea unei bare de omogenizator necorespunzătoare poate suprasolicita în mod inutil atât mașina, cât și pa dumneavoastră.

### Montarea omogenizatorului

1. Înșurubați omogenizatorul asamblat în prinderea pentru scule (5) în sensul acelor de ceasornic cât mai mult posibil.
2. Strângeți omogenizatorul în prinderea pentru scule cu ajutorul cheilor furnizate. Pentru a face acest lucru, țineți prinderea pentru scule (5) folosind una dintre cheile furnizate și utilizați a doua cheie pentru a strânge omogenizatorul asamblat.

### Demontarea omogenizatorului

1. Slăbiți omogenizatorul asamblat utilizând cheile furnizate. Pentru a face acest lucru, țineți suportul pentru scule (5) folosind una dintre cheile furnizate și utilizați a doua cheie pentru a slăbi omogenizatorul asamblat.



2. Deșurubați omogenizatorul de la prinderea pentru scule (5) în sens invers acelor de ceasornic.

## 4 OPERAREA

### Pornirea și oprirea (Fig. A)

Comutatorul de pornire/oprire (1) este utilizat pentru acționarea mașinii și reglarea vitezei.

- Pentru a porni mașina, apăsați și mențineți apăsat butonul de blocare (2) și apăsați butonul de pornire/oprire (1).
- Pentru a opri mașina, eliberați comutatorul de pornire/oprire (1).

### Selectarea treptei de viteză (Fig. B)

Cu ajutorul selectorului de viteze (4) se pot selecta două intervale mecanice de turație:

Treapta 1	180-400/min
Treapta 2	300-700/min

Treapta necesară depinde de tipul de material amestecat și se recomandă să fie verificat printr-un test practic.

### Reglarea vitezei (Fig. B)

Turația necesară poate fi reglată folosind

Rotița de reglare a vitezei (3). De asemenea, în timpul operării turația poate fi reglată.

- Pentru a crește viteza, rotiți butonul de reglare a vitezei (3) în sens orar.
- Pentru a reduce viteza, rotiți butonul de reglare a vitezei (3) în sens antiorar.

Vitezele necesare depind de material și pot fi determinate prin teste practice.

### Utilizare optimă

- Pentru materialele cu vâscozitate redusă, de exemplu vopsea de emulsie, lacuri, adeziv, compus de chituire și suspensie de ciment, se recomandă un amestecător cu spirală de stânga pentru o utilizare optimă. Cu o spirală de stânga, materialul este deplasat de sus în jos și agitatorul este împins în sus. Materialele cu vâscozitate redusă sunt amestecate într-un mod care reduce stropirea, de aceea se recomandă o viteză redusă (treapta 1).
- Pentru materiale cu vâscozitate ridicată, de ex. amestec de tencuială, beton, ciment, șapă, material de umplutură și rășină epoxidică, se recomandă un amestecător cu spirală de dreapta

pentru o utilizare optimă. Cu o spirală de dreapta, materialul este deplasat de jos în sus și agitatorul este tras în jos (făcându-și loc în amestec).

Materialele cu vâscozitate ridicată sunt amestecate bine, de aceea se recomandă o viteză mare (treapta 2).

- Pentru rezultate optime, mișcați unealta electrică în sus și în jos în timp ce amestecați.
- Se recomandă curățarea paletelor după utilizare, de exemplu prin amestecarea sa într-o găleată umplută cu apă.

## 5. ÎNTREȚINEREA



*Deconectați întotdeauna aparatul de la alimentare înainte de a efectua întreținerea.*

Curățați regulat carcasa cu o cârpă moale, de preferat după fiecare utilizare. Curățați fantele de aerisire de praf și murdărie.

Îndepărtați murdăria persistentă cu o cârpă moale înmuiată în clăbuci de săpun. Nu folosiți solvenți precum benzină, alcool, amoniac, etc. Astfel de substanțe chimice vor deteriora componentele sintetice.

## MEDIU



*Aparatele electrice sau electronice deteriorate și/sau defecte trebuie colectate în locurile de reciclare corespunzătoare.*

### Numai pentru țările din CE

Nu aruncați echipamentele acționate electric împreună cu gunoii menajer. Conform Indicației europene 2012/19/CE pentru echipamente electrice și electronice uzate și a implementării sale la nivel național, echipamentele acționate electric scoase din uz trebuie colectate separat și evacuate într-o manieră ecologică.

## GARANȚIE

Produsele VONROC sunt realizate la cele mai înalte standarde de calitate și sunt garantate în privința materialelor și a manoperei pentru întreaga perioadă de utilizare în garanție, începând cu data achiziției. În cazul în care produsul prezintă defecțiuni în perioada de garanție din cauza materialului defect și/sau a manoperei, contactați direct VONROC.

Următoarele circumstanțe sunt excluse de la această garanție:

- Reparațiile sau modificările care realizate sau care s-au încercat a fi efectuate de centre de service neautorizate;
- Uzura în condiții normale de utilizare;
- Unealta care a fost abuzată, utilizată într-un mod neglijent sau întreținută în mod inadecvat;
- Folosirea unor piese de schimb neoriginale.

Aceasta acoperă garanția companiei, explicită sau implicită. Nu există alte garanții explicite sau implicite care să se extindă dincolo de cele indicate aici, incluzând garanțiile, vandabilitatea sau adecvarea pentru un anumit scop. În nicio situație, VONROC nu este responsabil pentru daunele incidentale sau consecvențiale. Reparațiile efectuate de reprezentant trebuie să fie limitate la reparațiile sau la înlocuirea unităților sau a pieselor neconforme.

**Produsul și manualul de utilizare pot suferi modificări. Specificațiile se pot modifica fără notificare prealabilă.**

## 1. INSTRUÇÕES DE SEGURANÇA

Leia os avisos de segurança fornecidos, os avisos de segurança adicionais e as instruções. O não cumprimento dos avisos de segurança e das instruções pode resultar em choque eléctrico, incêndio e/ou ferimentos graves. Guarde os avisos de segurança e as instruções para referência futura.

Os seguintes símbolos são utilizados no manual do utilizador ou no produto:



*Leia o manual do utilizador.*



*Indica o risco de ferimentos, morte ou danos na ferramenta se as instruções indicadas neste manual não forem seguidas.*



*Risco de choque eléctrico.*



*Velocidade electrónica variável.*



*Use óculos de segurança.  
Use protecção auricular.*



*Use uma máscara anti poeira.*



*Máquina de classe II - isolamento duplo - Não é necessária uma ficha de ligação à terra.*



*O produto está em conformidade com as normas de segurança aplicáveis nas directivas europeias.*

### AVISOS GERAIS DE SEGURANÇA SOBRE A FERRAMENTA ELÉCTRICA



**AVISO! Leia todos os avisos de segurança e instruções.** O não cumprimento dos avisos de segurança e as instruções podem resultar em choque eléctrico, incêndio e/ou ferimentos graves.

**Guarde todos os avisos e instruções para referência futura.** O termo "ferramenta eléctrica" indicado nos avisos diz respeito à ferramenta eléctrica com alimentação pela rede (com fio) ou por bateria (sem fio).

### 1) Segurança na área de trabalho

- a) **Mantenha a área de trabalho limpa e devidamente iluminada.** As áreas obstruídas ou escuras são propícias para acidentes.
- b) **Não utilize ferramentas eléctricas em atmosferas explosivas, por exemplo, na presença de líquidos inflamáveis, gases ou poeiras.** As ferramentas eléctricas produzem faíscas que podem causar ignição de poeiras ou vapores.
- c) **Quando utilizar uma ferramenta eléctrica, mantenha as crianças e transeuntes afastados.** As distrações podem causar perda de controlo.

### 2) Segurança eléctrica

- a) **As fichas da ferramenta eléctrica devem corresponder à tomada. Nunca modifique, de forma alguma, a ficha. Não utilize quaisquer fichas adaptadoras com ferramentas eléctricas ligadas à terra (massa).** As fichas e tomadas correspondentes não modificadas reduzem o risco de choque eléctrico.
- b) **Evite o contacto do corpo com superfícies ligadas à terra ou massa, como tubos, radiadores, fogões ou frigoríficos.** Há um maior risco de choque eléctrico se o corpo estiver ligado à terra ou à massa.
- c) **Não exponha as ferramentas eléctricas à chuva ou a ambientes húmidos.** A entrada de água numa ferramenta eléctrica aumenta o risco de choque eléctrico.
- d) **Não utilize o cabo de maneira abusiva. Nunca utilize o cabo para transportar, puxar ou desligar a ferramenta eléctrica. Mantenha o cabo afastado de fontes de calor, óleo, extremidades afiadas ou peças móveis.** Cabos danificados ou enrolados aumenta o risco de choque eléctrico.
- e) **Quando utilizar uma ferramenta eléctrica no exterior, opte por uma extensão adequada para utilização no exterior.** A utilização de um cabo adequado para utilização no exterior reduz o risco de choque eléctrico.
- f) **Se não for possível evitar trabalhar com uma ferramenta eléctrica num local húmido, utilize uma fonte de alimentação protegida por um dispositivo de corrente residual (DCR).** A utilização de um DCR reduz o risco de choque eléctrico.

### 3) Segurança eléctrica

- a) **Esteja atento, preste atenção ao que está a fazer e tenha senso comum quando utilizar uma**

**ferramenta eléctrica. Não utilize uma ferramenta eléctrica quando estiver cansado ou sob o efeito de drogas, álcool ou medicamentos.**

Um momento de distração durante a utilização de ferramentas eléctricas pode resultar em ferimentos graves.

- b) **Use equipamento de protecção individual. Use sempre protecção ocular.** O equipamento de protecção, como, por exemplo, máscara de poeiras, sapatos de segurança antiderrapantes, capacete de segurança ou protecção auditiva, utilizado nas condições adequadas, reduz o risco de ferimentos.
- c) **Evite accionamentos acidentais. Assegure-se de que o gatilho está desligado antes de ligar a ferramenta à corrente eléctrica e/ou as baterias e antes de levantar ou transportar a ferramenta.** O transporte de ferramentas eléctricas com o dedo colocado no interruptor ou a ligação à corrente das ferramentas eléctricas com o interruptor ligado pode dar origem a acidentes.
- d) **Retire eventuais chaves de ajuste ou chaves de fendas antes de ligar a ferramenta eléctrica.** Uma chave de fenda ou de ajuste montada numa peça rotativa da ferramenta eléctrica pode causar ferimentos.
- e) **Não tente chegar a pontos fora do alcance. Mantenha-se sempre numa posição firme e bem equilibrada.** Desta forma, será mais fácil controlar a ferramenta eléctrica em situações inesperadas.
- f) **Use vestuário adequado. Não use roupa larga ou jóias. Mantenha o cabelo, a roupa e as jóias afastados das peças móveis.** As roupas largas, as jóias ou o cabelo comprido podem ficar presos nestas peças.
- g) **Se for prevista a montagem de dispositivos de extracção e recolha de poeiras, assegure-se de que estão ligados e que são utilizados de forma correcta.** A utilização de dispositivos de extracção de poeiras pode reduzir os riscos inerentes.
- h) **Não permita que a familiaridade obtida através do uso frequente de ferramentas faça com que seja complacente e ignore os princípios de segurança da ferramenta.** Uma acção irreflectida pode causar ferimentos graves numa fracção de segundos.

- 4) Utilização e cuidados a ter com a ferramenta com baterias**
- a) **Não sobrecarregue a ferramenta eléctrica. Utilize a ferramenta eléctrica correcta para o seu trabalho.** A ferramenta eléctrica adequada efectua o trabalho de maneira mais eficiente e segura se for utilizada de acordo com a capacidade para a qual foi concebida.
  - b) **Não utilize a ferramenta eléctrica se não conseguir ligar ou desligar o gatilho.** Qualquer ferramenta eléctrica que não possa ser controlada através do gatilho é perigosa e tem de ser reparada.
  - c) **Retire a ficha da fonte de alimentação e/ou a bateria da ferramenta eléctrica, caso seja possível fazê-lo, antes de efectuar quaisquer ajustes, substituir acessórios ou guardar ferramentas eléctricas.** Estas medidas de segurança preventivas reduzem o risco de ligar a ferramenta eléctrica acidentalmente.
  - d) **Mantenha as ferramentas eléctricas que não estiverem a ser utilizadas fora do alcance das crianças. Não permita que a ferramenta eléctrica seja utilizada por pessoas não familiarizadas com a mesma ou que não tenham lido estas instruções.** As ferramentas eléctricas são perigosas nas mãos de pessoas que não possuam as qualificações necessárias para manuseá-las.
  - e) **Faça a manutenção das ferramentas eléctricas. Verifique se as peças móveis da ferramenta eléctrica estão alinhadas e não emperram, bem como se existem peças partidas ou danificadas ou quaisquer outras condições que possam afectar o funcionamento da mesma. Se a ferramenta eléctrica estiver danificada, esta não deve ser utilizada até que seja reparada.** Muitos acidentes têm como principal causa ferramentas eléctricas com uma manutenção insuficiente.
  - f) **Mantenha as ferramentas de corte afiadas e limpas.** As ferramentas de corte sujeitas a uma manutenção adequada, com arestas de corte afiadas, bloqueiam com menos frequência e controlam-se com maior facilidade.
  - g) **Utilize a ferramenta eléctrica, os acessórios e as peças de ferramenta, etc., de acordo com estas instruções, considerando as condições de trabalho e a tarefa a ser executada.** A utilização da ferramenta eléctrica para fins diferentes dos previstos pode resultar em situações perigosas.
  - h) **Mantenha as pegas e as superfícies de fixação secas, limpas e sem óleo e gordura.** As pegas escorregadias e as superfícies de fixação não permitem o manuseamento seguro e o controlo da ferramenta em situações imprevistas.
- 5) Utilização e cuidados a ter com a ferramenta com baterias**
- a) **Recarregue apenas com o carregador especificado pelo fabricante.** Um carregador adequado para um tipo de bateria pode causar um incêndio se for utilizado com outra bateria.
  - b) **Utilize apenas ferramentas eléctricas que tenham pilhas especificamente concebidas.** A utilização de outro tipo de baterias pode causar lesões e incêndio.
  - c) **Quando não utilizar a bateria, mantenha-a afastada de outros objectos metálicos, tais como cliques para papel, moedas, chaves, pregos, parafusos ou outros pequenos objectos metálicos que permitam fazer a ligação entre um terminal e outro.** O curto-circuito dos terminais da bateria pode causar queimaduras ou um incêndio.
  - d) **Em condições abusivas, pode derramar líquido da bateria, devendo evitar o contacto. Se tocar acidentalmente no líquido, lave bem com água. Se o líquido entrar em contacto com os olhos, consulte um médico.** O líquido derramado da bateria pode causar irritação ou queimaduras.
  - e) **Não utilize baterias ou ferramentas danificadas ou modificadas.** As baterias danificadas ou modificadas podem ter um comportamento inesperado, resultando em incêndio, explosão ou risco de ferimentos.
  - f) **Não exponha as baterias ou as ferramentas a fogo ou a temperaturas excessivas.** A exposição a fogo ou a temperaturas superiores a 130 °C podem causar uma explosão. NOTA: a temperatura "130 °C" pode ser substituída pela temperatura "265 °F".
  - g) **Siga todas as instruções de carregamento e não carregue a bateria ou a ferramenta fora do intervalo de temperaturas especificado nas instruções.** O carregamento inadequado ou de acordo com temperaturas fora do intervalo especificado pode danificar a bateria e aumentar o risco de incêndio.
- 6) Assistência**
- a) **A sua ferramenta eléctrica só deve ser reparada por pessoal qualificado e só devem ser uti-**

**lizadas peças sobressalentes idênticas.** Desta forma, é garantida a segurança da ferramenta eléctrica.

- b) **Nunca repare baterias danificadas.** A reparação de baterias deve ser efectuada apenas pelo fabricante ou fornecedores de assistência autorizados.

### AVISOS ADICIONAIS DE SEGURANÇA

- **Antes de ligar a máquina, aperte com firmeza a pá misturadora e retire a chave.**
- **Não utilize a ferramenta eléctrica para materiais explosivos (por exemplo, solventes facilmente inflamáveis).** As ferramentas eléctricas produzem faíscas que podem arder e formar vapores.
- **No caso da ferramenta eléctrica cair dentro do material que estiver a ser agitado, retire a ficha de imediato e peça a um técnico de assistência pós-vendas para reparar a ferramenta eléctrica.** Os materiais que penetrarem na ferramenta eléctrica podem causar danos e choque eléctrico.
- **Segure a máquina com firmeza com ambas as mãos pela superfícies de fixação isoladas e mantenha-se sempre numa posição firme e bem equilibrada.** A máquina é orientada com maior segurança com ambas as mãos. A perda de controlo pode causar lesões pessoais.
- **Segure a ferramenta eléctrica pelas superfícies de fixação isoladas quando efectuar uma operação em que o acessório de corte possa entrar em contacto com fios ocultos ou o cabo da ferramenta.** Um acessório de corte que entre em contacto com um fio sob tensão eléctrica pode fazer com que as peças de metal expostas da ferramenta conduzam electricidade e electrocutem o utilizador.
- **Se a ferramenta eléctrica encravar, desligue-a de imediato.** Tenha cuidado com o binário de relação elevada, porque pode causar ricochete. A ferramenta pode encravar se:
  - a ferramenta eléctrica estiver sujeita a sobrecarga ou
  - ficar encravada na peça de trabalho.
- **Não misture comida.** As ferramentas eléctricas e os respectivos acessórios não são concebidos para processar alimentos.
- **Mantenha o cabo afastado da área de trabalho.** O cabo pode ficar emaranhado pela vareta do misturador.

- **O recipiente de mistura deve ser adequado para misturar e permanecer estável na posição horizontal.** Um recipiente que não seja fixado com segurança pode mover-se de maneira descontrolada.
- **Assegure-se de que não há salpicos de líquidos no compartimento da ferramenta eléctrica.** Os líquidos que penetrarem na ferramenta eléctrica podem causar danos e choque eléctrico.
- **Siga as instruções e avisos indicados nas fichas de dados de segurança de materiais (MSDS) do material que pretende misturar.** O material que vai ser misturado pode ser nocivo.
- **Na eventualidade de corte de energia, carregue no interruptor para ligar/desligar para libertar o interruptor de bloqueio.** Isto impede que a ferramenta eléctrica seja reiniciada acidentalmente (risco de ferimentos).
- **Não coloque a ferramenta eléctrica numa bancada.**

### Segurança eléctrica



*Verifique sempre se a tensão da fonte de alimentação corresponde à tensão indicada na etiqueta da placa sinalética.*

- Não utilize a máquina se o cabo de alimentação ou a ficha estiver danificada.
- Utilize apenas extensões que sejam adequadas para a potência nominal da máquina com uma espessura mínima de 1,5 mm<sup>2</sup>. Se utilizar um enrolador de extensão, desenrole sempre o cabo por completo.

## 2. INFORMAÇÕES SOBRE A MÁQUINA

### Utilização pretendida

A máquina foi concebida para misturar materiais de construção pulverizados, como argamassa, gesso, colas, bem como tintas com solventes, verniz e substâncias semelhantes. A utilização indevida pode danificar a ferramenta.

### ESPECIFICAÇÕES TÉCNICAS

Modelo n.º	PM502AC
Tensão	230-240 V ~
Frequência	50 Hz
Alimentação	1800 W

Velocidade sem carga	
Velocidade 1	180 - 400/min
Velocidade 2	300 - 700/min
Porta-ferramentas	M14
Vareta	Ø 140 mm
Peso	4,45 kg
Nível de pressão sonora $L_{PA}$	87,6 + 3 dB(A)
Nível de potência sonora $L_{WA}$	98,6 + 3 dB(A)
Vibração	5,187 + 1,5 m/s <sup>2</sup>

### Nível de vibração

O nível de emissão de vibrações indicado neste manual de instruções foi medido em conformidade com um teste homologado, especificado pela norma EN60745; pode ser utilizado para comparar ferramentas e como avaliação preliminar da exposição a vibrações quando utilizar a ferramenta para as aplicações indicadas.

- A utilização da ferramenta para aplicações diferentes, ou com acessórios diferentes ou com uma manutenção deficiente, pode aumentar consideravelmente o nível de exposição.
- O número de vezes que a ferramenta é desligada ou está ligada, mas não está a ser utilizada, pode reduzir significativamente o nível de exposição.

Proteja-se contra os efeitos da vibração, através de uma manutenção da ferramenta e dos respectivos acessórios, mantendo as mãos quentes e organizando os seus padrões de trabalho.

### DESCRIÇÃO

Os números indicados no texto dizem respeito aos diagramas na página 2.

1. Interruptor para ligar/desligar
2. Botão de desbloqueio
3. Botão de ajuste da velocidade
4. Interruptor de selecção de velocidade
5. Suporte da ferramenta
6. Pega
7. Aberturas de ventilação
8. Eixo da bateadeira
9. Pá da bateadeira

## 3. MONTAGEM

### Montagem da vareta de duas peças (Fig. A)

1. Aperte o eixo da vareta (8) na pá da vareta (9)
2. Aperte ambas as peças com firmeza

### Substituir a vareta (Fig. A)



Antes de efectuar a montagem, desligue sempre a máquina e retire a ficha da tomada de corrente.

Utilize apenas as bateadeiras com o diâmetro especificado. Utilize sempre uma bateadeira adequada para o material a misturar/agitar. A utilização de uma barra misturadora não adequada pode sobrecarregar desnecessariamente tanto a máquina como o utilizador.

### Montagem da bateadeira

1. Aperte a bateadeira montada no porta-ferramentas (5) para a direita o máximo possível.
2. Aperte a bateadeira no porta-ferramentas com as chaves fornecidas. Para fazê-lo, segure no porta-ferramentas (5) com uma das chaves fornecidas e utilize a outra chave para apertar a bateadeira montada.

### Retirar a bateadeira

1. Desaperte a bateadeira montada com as chaves fornecidas. Para fazê-lo, segure no porta-ferramentas (5) com uma das chaves fornecidas e utilize a outra chave para desapertar a bateadeira montada.
2. Desaperte a bateadeira do porta-ferramentas (5) para a esquerda.

## 4. FUNCIONAMENTO

### Ligar e desligar (Fig. A)

O interruptor para ligar/desligar (1) é utilizado para activar a máquina e regular a velocidade.

- Para ligar a máquina, mantenha premido o botão de desbloqueio (2) e, em seguida, prima o interruptor para ligar/desligar (1).
- Para parar a máquina, liberte o interruptor para ligar/desligar (1).

### Seleção da velocidade (Fig. B)

Podem ser seleccionadas duas velocidades mecânicas com o interruptor de selecção de velocidade (4):

Velocidade 1	180 - 400/min
Velocidade 2	300 - 700/min

A velocidade necessária depende do tipo de material misturado e é recomendável verificá-lo com um teste prático.

### Regulação da velocidade (Fig. B)

A velocidade necessária pode ser ajustada com o botão de regulação da velocidade (3). Além disso, a velocidade de rotação pode ser ajustada também durante o funcionamento.

- Para aumentar a velocidade, rode o botão de regulação de velocidade (3) para a direita.
- Para diminuir a velocidade, rode o botão de regulação da velocidade (3) para a esquerda.

As velocidades necessárias variam consoante o material e podem ser determinadas por um teste prático.

### Utilização adequada

- Para materiais com viscosidade reduzida, por exemplo, tinta-emulsão, vernizes, tinta, vedantes e calda de cimento, é recomendável utilizar uma vareta de misturador com uma espiral voltada para a esquerda para uma utilização adequada. Com a espiral voltada para a esquerda, o material move-se da parte superior para baixo e a vareta do misturador é empurrada para cima. Os materiais com baixa viscosidade são misturados para minimizar salpicos, sendo recomendada uma velocidade reduzida (1).
- Para materiais com viscosidade elevada, por exemplo, gesso, cimento, ripas, enchimento e resina epóxida, é recomendável utilizar uma vareta de misturador com uma espiral voltada para a direita para uma utilização adequada. Com a espiral voltada para a direita, o material é movido da parte inferior para cima e a vareta do misturador é empurrada para baixo (na direcção da mistura). Os materiais com elevada viscosidade são bem misturados, por isso é recomendável uma velocidade elevada (velocidade 2).
- Para obter os melhores resultados durante a mistura, mova a ferramenta eléctrica para cima e para baixo.
- É recomendável limpar a vareta após a utilização, por exemplo, agitando a vareta num balde com água.

## 5. MANUTENÇÃO



*Desligue a máquina da fonte de alimentação antes de efectuar quaisquer tarefas de manutenção.*

Limpe a carcaça da máquina com regularidade com um pano macio, de preferência após cada utilização. Certifique-se de que as aberturas de ventilação não têm pó ou sujidade.

Retire a sujidade muito persistente com um pano macio humedecido com água de sabão. Não utilize solventes, como gasolina, álcool, amoníaco, etc. Este tipo de produtos químicos danificam os componentes sintéticos.

## AMBIENTE



*Os equipamentos eléctricos ou electrónicos defeituosos e/ou eliminados devem ser recolhidos em locais de reciclagem adequados.*

### Apenas para os países da CE

Não elimine as ferramentas eléctricas em conjunto com os resíduos domésticos. De acordo com a directiva europeia 2012/19/CE sobre resíduos de equipamentos eléctricos e electrónicos e a respectiva implementação na legislação nacional, as ferramentas eléctricas que já não sejam utilizadas devem ser recolhidas em separado e eliminadas de maneira ecológica.

## GARANTIA

Os produtos da VONROC são desenvolvidos de acordo com os padrões de qualidade mais elevados e não apresentam quaisquer defeitos em termos de materiais e mão-de-obra em relação ao período estipulado por lei, cujo início é a partir da data de compra original. Se o produto apresentar qualquer falha durante este período devido a qualquer defeito de material e/ou de mão-de-obra, contacte a VONROC directamente.

As seguintes circunstâncias estão excluídas desta garantia:

- Se forem efectuadas ou tentadas quaisquer reparações e/ou alterações na máquina por centros de assistência não autorizados;
- Desgaste normal;

- Se a ferramenta foi utilizada de maneira abusiva, indevida ou a manutenção for efectuada de maneira incorrecta;
- Se forem utilizadas peças sobresselentes não originais.

Isto constitui a única garantia feita pela empresa, de maneira expressa ou implícita. Não existem quaisquer outras garantias expressas ou implícitas que se prolonguem, incluindo as garantias implícitas de comercialização e adequação para fins específicos. A VONROC não será, em nenhuma circunstância, responsável por danos incidentais ou indirectos. Os fornecedores devem estar limitados a reparar ou substituir as unidades ou peças que não estejam em conformidade.

**O equipamento e o manual do utilizador estão sujeitos a alterações sem aviso prévio. As especificações podem ser alteradas sem aviso prévio.**

## 1. BIZTONSÁGI UTASÍTÁSOK

Olvassa el az összes mellékelt biztonsági figyelmeztetést. A figyelmeztetések és utasítások be nem tartása áramütéshez, tűz keletkezéséhez vagy akár súlyos személyi sérüléshez vezethet. Őrizze meg a biztonsági figyelmeztetéseket és utasításokat későbbre is.

A használati útmutatóban és a terméken a következő jelölésekkel találkozhat:



*Olvassa el a használati útmutatót.*



*Jelzi a személyi sérülések, az életveszély vagy a szerszám károsodásának veszélyét a használati útmutató utasításainak be nem tartása esetén.*



*Áramütés veszélye.*



*Elektromosan változtatható sebesség.*



*Viseljen biztonsági szemüveget. Vegyen fel hallásvédelmet.*



*Viseljen porvédő álarcot.*



*II. osztályú gép - Dupla szigetelés - Nincs szükség dugóra.*



*A termék megfelel az európai irányelvek releváns biztonsági követelményeinek.*

### AZ ELEKTROMOS SZERSZÁMOKRA VONATKOZÓ ÁLTALÁNOS BIZTONSÁGI FIGYELMEZTETÉSEK



**FIGYELMEZTETÉS! Olvasson el minden biztonsági figyelmeztetést és utasítást.**

*A biztonsági figyelmeztetések és utasítások be nem tartása áramütést, tüzet és/vagy súlyos sérülést okozhat.*

**Az összes figyelmeztetést és utasítást őrizze meg, mert később még szüksége lehet rájuk.** A figyelmeztetésekben szereplő „szerszámgép” kifejezés az Ön hálózatról működő (vezetékes) szerszámgépére vagy akkumulátorral működő (vezeték nélküli) szerszámgépére utal.



**1) A munkaterület biztonsága**

- a) **Gondoskodjon a munkaterület tisztaságáról és megfelelő megvilágításáról.** A rendezetlen és sötét területeken valószínűbb a balesetek előfordulása.
- b) **Ne használja az elektromos szerszámokat robbanásveszélyes légtérben, például ahol gyúlékony folyadékok, gázok vagy por vannak jelen.** A szerszámgépek használata során keletkező szikra lángra lobbanthatja a port és füstöt.
- c) **Az elektromos szerszám használatát során a gyermekeket és a közelben tartózkodó személyeket tartsa távol a munkaterülettől.** Ha valami eltereli a figyelmét, elveszítheti az irányítást.

**2) Elektromos biztonság**

- a) **Az elektromos szerszám dugóinak megfelelőnek kell lenniük az aljzathoz. Soha ne próbálja semmilyen módon módosítani a dugót. Földelt szerszámgépekhez ne használjon semmilyen adapterdugót.** Az eredeti (értsd: módosítás nélküli) dugók és megfelelő hálózati aljzatok használatával mérsékelhető az elektromos áramütés veszélye.
- b) **Ügyeljen arra, hogy teste ne érintkezzen földelt felületekkel, például csővezetékekkel, radiátorral, tűzhellyel vagy hűtőszekrényel.** Ha teste földelődik, megnő az áramütés kockázata.
- c) **Óvja az elektromos szerszámokat az esőtől és nedves környezettől.** A szerszámgépbe kerülő víz növeli az elektromos áramütés veszélyét.
- d) **Ne használja helytelenül (nem előírászerűen) a kábelt. A kábelt soha ne használja a szerszámgép hordozására, húzására vagy az aljzathoz történő kihúzására. A kábelt tartsa távol hőforrásoktól, olajtól, hegyes élektől és mozgó alkatrészekről.** A sérült vagy megtekeredett kábelek növelik az elektromos áramütés veszélyét.
- e) **Az elektromos szerszám kültéri használata esetén kültéri használatra alkalmas hosszabító kábelt használjon.** A kültéri használatra alkalmas kábel használatával mérsékelhető az elektromos áramütés veszélye.
- f) **Ha az elektromos szerszámot mindenképpen nedves környezetben kell használni, akkor használjon áramvédő kapcsolóval (RCD) ellátott tápforrást.** Az áramvédő kapcsolóval ellátott tápforrás használatával mérsékelhető az elektromos áramütés veszélye.

**3) Személyi biztonság**

- a) **Az elektromos szerszám használata során maradjon éber, koncentráljon az éppen végzett műveletre és használja a józan ítélőképességét. Ha fáradt, vagy ha kábítószert, alkoholt vagy gyógyszer hatása alatt áll, ne használjon szerszámgépet.** A szerszámgépek használata közben egyetlen pillanatnyi figyelmetlenség is súlyos személyi sérülést okozhat.
- b) **Használjon egyéni védőfelszerelést. Mindig viseljen szemvédő felszerelést.** A megfelelő körülményekhez való védőeszközökkel (például pormaszkkal, csúszásgátló biztonsági cipővel, munkavédelmi sisakkal vagy hallásvédő eszközzel) csökkenthető a személyi sérülések kockázata.
- c) **Gondoskodjon a gép véletlen elindulásának a megelőzéséről. A szerszám tápforráshoz és/vagy akkumulátorcsomaghoz történő csatlakoztatása, kézbevétele vagy hordozása előtt győződjön meg róla, hogy a kapcsoló OFF (kikapcs.) állásban van.** Ha úgy hordozza a szerszámgépet, hogy az ujjja a kapcsolón van, vagy úgy helyezi feszültség alá a szerszámgépet, hogy a kapcsolója ON (bekapcs.) helyzetben van, ez növeli a balesetek kockázatát.
- d) **Az elektromos szerszám bekapcsolása előtt távolítsa el a csavarkulcsokat vagy beállító kulcsokat.** A szerszámgép forgó alkatrészein felejtett csavarkulcs vagy beállító kulcs személyi sérülést okozhat.
- e) **Ne próbáljon túlnyújtóztatni vagy kitekeredett testhelyzetben dolgozni. Mindig két lábbal, egyensúlyát megtartva álljon a talajon.** Így könnyebben tudja irányítani a szerszámgépet a váratlan helyzetekben.
- f) **Viseljen megfelelő öltözetet. Ne viseljen laza ruhát vagy ékszert. Haját, ruháját és kesztyűjét tartsa távol a mozgó alkatrészekről.** A mozgó alkatrészek behúzhatják a ruhákat, az ékszereket és a hosszú haját.
- g) **Ha a szerszámhoz porelszívó és porgyűjtő eszköz is lehet csatlakoztatni, akkor gondoskodjon ezek csatlakoztatásáról és megfelelő használatáról.** A porgyűjtő rendszerek használatával csökkenthetők a porral kapcsolatos veszélyek.
- h) **Ne engedje, hogy a szerszámok gyakori használata során szerzett tapasztalatai túlzott biztonságérzetet keltsenek Önben, és amiatt elhanyagolja a biztonsági alapelveket. Gondatlan**

cselekvés már a másodperc töredéke alatt is súlyos sérülést okozhat.

#### 4) A szerszám gép használata és ápolása

- a) **Az elektromos szerszámot tilos túlzott erőfeszítéssel használni. Az alkalmazási célnak megfelelő szerszám gépet használjon.** A megfelelő szerszám gép biztonságosabban és hatékonyabban végzi a munkát azon a fordulatszámon, amire azt tervezték.
- b) **Ne használja az elektromos szerszámot, ha az nem kapcsolható be/ki a főkapcsolóval.** Bármely szerszám gép veszélyes lehet, amit a kapcsolóval nem lehet irányítani, ezért az ilyen szerszám gépet meg kell javíttatni.
- c) **Válassza le a dugót a tápforrásról és/vagy az akkumulátorcsomagot az elektromos szerszámról, mielőtt bármilyen módosítást végez, tartozékot cserél vagy eltávolítja az elektromos szerszámot.** Ezekkel a megelőző biztonsági intézkedésekkel csökkenthető a szerszám gép véletlen elindulásának a kockázata.
- d) **A használaton kívüli elektromos szerszámot olyan helyen tárolja, ahol gyermekek nem férhetnek hozzá; ne engedje, hogy olyan személyek használják, akik az elektromos szerszámot és ezeket az utasításokat nem ismerik.** A szerszám gépek rendkívül veszélyesek lehetnek szakképzetlen felhasználók kezeiben.
- e) **Tartsa karban az elektromos szerszámokat. Ellenőrizze, hogy a mozgó alkatrészek nem állították-e el vagy nem szorulnak-e, nincsenek-e a szerszámon törött alkatrészek, és nem állnak-e fenn olyan körülmények, amelyek befolyásolhatják a szerszám működését. Ha a szerszám gép sérült, használat előtt javíttassa meg.** A nem megfelelően karbantartott szerszám gépek számos balesetet okoznak.
- f) **Tartsa élesen és tisztán a vágószerszámokat.** A megfelelően karbantartott, éles vágószerszámok beszorulásának kisebb a valószínűsége, ráadásul könnyebben irányíthatók.
- g) **Az elektromos szerszámot, tartozékokat és szerszámszárakat stb. a használati útmutatónak megfelelően használja, a munkakörülmények és az elvégzendő feladat figyelembevételével.** Ha a szerszám gépet a rendeltetési céljától eltérően használják, ez veszélyhelyzetet teremthet.
- h) **Tartsa a fogantyúkat és egyéb markolási felületeket szárazon, tisztán, olajtól és zsírtól**

**mentesen.** Váratlan helyzetekben a csúszós fogantyúk és egyéb markolási felületek akadályozzák a szerszám biztonságos kezelését és irányítását.

#### 5) Az akkumulátoros szerszám használata és ápolása

- a) **Újratöltéshez csak a gyártó által megjelölt töltőt használja.** Az egyik akkumulátorhoz megfelelő töltő másikat töltővel használva tűzveszélyes lehet.
  - b) **Csak a kifejezetten hozzájuk készült akkumulátorral használja az elektromos szerszámokat.** Bármilyen másfajta akkumulátor használata tűz- és balesetveszélyt idézhet elő.
  - c) **Amikor az akkumulátor nincs használatban, óvja olyan más fém tárgyaktól, mint a gémkapocs, a pénzérme, kulcs, szög, csavar és más kis fém tárgyak, amely a két kapcsot össze képes kötni.** Az akkumulátor kapcsok rövidre zárása égési sérülést vagy tüzet okozhat.
  - d) **Nem előírászerű körülmények között az akkumulátorból folyadék szivároghat; kerülje a vele való érintkezést. Ha véletlenül mégis a bőrre kerül, vízzel öblítse le. Ha a folyadék szembe kerül, forduljon orvoshoz.** Az akkumulátorból származó folyadék bőrizgató hatású, égési sérülést is okozhat.
  - e) **Sérült vagy átalakított akkucsomagot és szerszámot ne használjon.** A sérült vagy átalakított akkumulátorok kiszámíthatatlanul viselkedhetnek, tüzet, robbanást vagy sérülést okozhatnak.
  - f) **Tűztől és szélsőséges hőmérséklettől óvja az akkucsomagot és a szerszámot.** Ha tűznek vagy 130 °C-on felüli hőmérsékletnek teszi ki, robbanást okozhat. MEGJEGYZÉS: a „130 °C” „265 °F”-nak (Fahrenheit foknak) felel meg.
  - g) **Tartsa be a töltésre vonatkozó összes utasítást, és ne töltsen az akkucsomagot vagy a szerszámot a kezelési útmutatóban megadott tartományon kívül eső hőmérséklet mellett.** Nem megfelelő vagy a megadott tartományon kívüli hőmérséklet mellett történő töltés károsíthatja az akkumulátort, és tűzveszéllyel jár.
- #### 6) Szerviz
- a) **A szerszám gépet képzett javító szakemberrel javíttassa, csakis az eredetivel azonos pótalkatrészeket használjon fel.** Ez biztosítja, hogy a szerszám gép továbbra is biztonságos maradjon.

- b) **Sérült akkucsomagot soha ne szervizeljen.**  
Akkucsomagok szervizelését csak a gyártó vagy annak megbízott szolgáltatója végezheti.

### TOVÁBBI BIZTONSÁGI UTASÍTÁSOK

- **Szorosan húzza meg a keverőlapátot, és a gép indítása előtt távolítsa el a csavarkulcsot.**
- **Ne használja a szerszámgépet robbanásveszélyes anyagokhoz (pl. könnyen gyúlékony oldószerekhez).** A szerszámgépek használata során keletkező szikra lángra lobbantathatja a fejlődő gőzöket.
- **Ha a szerszámgép a keverendő anyagba esik, azonnal húzza ki a dugót, és ellenőriztesse a szerszámgépet egy vevőszolgálati munkatársal.** A szerszámgépbe behatoló anyag károsodást okozhat, és áramütéshez vezethet.
- **Munka közben mindkét kezével szorosan fogja meg a gépet a szigetelt markolási felületein, és mindig két lábbal, egyensúlyát megtartva álljon a talajon.** A gépet két kézzel biztonságosabban lehet irányítani. A gép feletti uralom elvesztése balesetet okozhat.
- **A szerszámgépet a szigetelt markolási felületénél fogja, ha olyan műveletet végez, amelynek során előfordulhat, hogy a tartozék rejtett vezetékbe vagy a szerszám saját vezetékébe ütközik.** Ha a tartozék feszültség alatt levő vezetékhez ér, a szerszámgép szabadon lévő fém részei is feszültség alá kerülhetnek, és a kezelőt áramütés érheti.
- **Ha a szerszámszár elakadt, azonnal kapcsolja ki a szerszámgépet.** Számítson a szerszám nagy nyomatóreakciójára, ami visszarúgást okozhat. A szerszámszár elakad, amikor:
  - a szerszámgépet túlterhelik, vagy amikor
  - beszorul a munkadarabba.
- **Ne keverjen élelmiszert.** A szerszámgépeket és tartozékait nem élelmiszerek feldolgozására tervezték.
- **Tartsa a kábelt távol a munkaterülettől.** A kábel belegabalyodhat a keverőfejbe.
- **A keverőedénynek alkalmasnak kell lennie a keverésre, és stabilan kell állnia.** A nem megfelelően rögzített edény kontrollálhatatlanul mozoghat.
- **Ügyeljen arra, hogy semmilyen folyadék ne fröccsenjen a szerszámgép házára.** A szerszámgépbe behatoló folyadék károsodást okozhat, és áramütéshez vezethet.

- **Kövesse a keverendő anyag biztonsági adatlapján (MSDS) szereplő utasításokat és figyelmeztetéseket.** A keverendő anyag káros is lehet.
- **Áramszünet esetén oldja ki a reteszelő kapcsolót az üzemi kapcsoló megnyomásával.** Ez megakadályozza, hogy a szerszámgép véletlenül újrainduljon (sérülésveszély).
- **A szerszámgépet tilos állványon használni.**

### Elektromos biztonság



*Mindig ellenőrizze, hogy a tápellátás megfelel-e az adattáblán feltüntetett feszültségnek.*

- Ne használja a gépet, ha a hálózati kábel vagy a hálózati csatlakozódugó sérült.
- Csak olyan hosszabbító kábelt használjon amely megfelel a berendezés névleges teljesítményének és legalább 1,5 mm<sup>2</sup> vastag. Ha tekerccset használ a hosszabbító kábelhez, mindig teljesen tekerje le a kábelt.

## 2. A GÉP ADATAI

### Rendeltetése

A gép porított építőanyagok, például habarcs, vakolat, ragasztók, továbbá oldószermesztésű festékek, lakkok és hasonló anyagok keverésére szolgál. A nem rendeltetészerű használat károsíthatja a szerszámot.

### MŰSZAKI ADATOK

Modellazonosító	PM502AC
Feszültség	230-240 V ~
Frekvencia	50 Hz
Felvett teljesítmény	1800 W
Üresjárat fordulat/szám	180-400/perc
1. sebességváltó	300-700/perc
2. sebességváltó	
Szerszám foglalata	M14
Keverő átmérője	Ø 140 mm
Súly	4,45 kg
Hangnyomásszint L <sub>PA</sub>	87,6+3 dB(A)
Hangteljesítményszint L <sub>WA</sub>	98,6+3 dB(A)
Rezgés	5,187+1,5 m/s <sup>2</sup>

### Rezgés értékek

A használati útmutatóban megadott rezgés kibocsátási értékek mérése az EN 60745 sz. szabvány szerinti egységesített eljárással történt; az értékek használhatók gépek összehasonlítására és a munkavégzés közbeni rezgésterhelés előzetes megbecslésére az adott alkalmazási területen.

- Ha az elektromos kéziszerszámot más területen használják vagy más vagy rossz karban tartott tartozékkal, a rezgés terhelés jelentősen megnövekedhet.
- Azok az időtartamok, amely alatt a gép üresen jár vagy áll, jelentősen csökkenthetik a tényleges terhelést.

Védje magát a rezgés hatásától, tartsa karban a gépet és a tartozékokat, melegítsen be és szervezze meg okosan a munkáját.

### LEÍRÁS

A szövegbeli számok a 2. oldal képeire utalnak.

1. Üzemi kapcsoló
2. Reteszgomb
3. Fordulatszám állító kerék
4. Sebességváltó kapcsoló
5. Szerszámbe fogó
6. Fogantyú
7. Szellőzőnyílások
8. Keverőszár
9. Keverőlapát

## 3. ÖSSZESZERELÉS

### A kétrészes keverő összeszerelése (A ábra)

1. Csavarja a keverőszárat (8) a keverőlapátra (9)
2. Szorítsa össze erősen a két részt

### A keverő cseréje (A ábra)



*Szerelés előtt mindig kapcsolja ki a gépet, és húzza ki a hálózati csatlakozódugót.*

Csak a megadott átmérőjű keverőket használja.

Mindig az adott anyag keverésére alkalmas keverőt használjon. Nem megfelelő keverőpálca használatával túlterheli a gépet, illetve saját magát.

### A keverő szerelése

1. Csavarja be az összeszerelt keverőt a befogóba (5) az óramutató járásának irányában ütközésig.
2. Húzza meg a keverőt a befogóban a mellékelt kulccsokkal. Ehhez tartsa a befogót (5) az egyik

mellékelt kulccsal, a másikkal pedig húzza meg a felszerelt habverőt.

### A keverő eltávolítása

1. A mellékelt kulccsokkal lazítsa meg a felszerelt habverőt. Ehhez tartsa a befogót (5) az egyik mellékelt kulccsal, a másikkal pedig lazítsa meg a felszerelt keverőt.
2. Csavarja ki a keverőt a befogóból (5) az óramutató járásával ellentétes irányban.

## 4. MŰKÖDÉS

### Bekapcsolás, kikapcsolás (A ábra)

Az üzemi kapcsoló (1) a gép bekapcsolására és a fordulatszám beállítására szolgál.

- A gép beindításához nyomja és tartsa lenyomva a reteszgombot (2), majd nyomja le az üzemi kapcsolót (1).
- A gép kikapcsolásához engedje fel az üzemi kapcsolót (1).

### Sebességváltó választás (B ábra)

Két mechanikus fordulatszám-tartomány választható ki a sebességváltó kapcsoló segítségével (4):

1. sebességváltó 180-400/perc
2. sebességváltó 300-700/perc

A szükséges sebességfokozat a kevert anyag típusától függ. Javasoljuk, hogy ezt gyakorlati teszttel ellenőrizze le.

### A fordulatszám állítása (B ábra)

A kívánt fordulatszám a

fordulatszám állító kerékkel állítható be (3). A gép üzemelése során a fordulatszám állítható.

- A fordulatszám növeléséhez az óramutató járásának megfelelő irányban forgassa a fordulatszám állító gombot (3).
- A fordulatszám csökkentéséhez az óramutató járásával ellentétes irányban forgassa a fordulatszám állító gombot (3).

A kívánt fordulatszám az adott anyagtól függ és ezt gyakorlati teszttel lehet meghatározni.

### Optimális használat

- Alacsony viszkozitású anyagok, pl. emulziós festékek, lakkok, ragasztók, injektáló habarcs vagy cementiszap esetében az optimális használatához egy úgynevezett balos forgású spirállal ellátott

keverőfej ajánlott. A balos spirállal az anyagot felülről lefelé mozgatjuk, a keverőfejet pedig felfelé toljuk. Az alacsony viszkozitású anyagokat úgy kell keverni, hogy a lehető legkisebb legyen a fröccsenés, ezért alacsony fordulatszám ajánlott (1. sebességváltó).

- Magas viszkozitású anyagok, pl. vakolat, beton, cement, kiegyenlítő beton, kitöltőanyagok vagy epoxigyanta esetében az optimális használathoz egy úgynevezett jobbos forgású spirállal ellátott keverőfej ajánlott. A jobbos spirállal az anyagot alulról felfelé mozgatjuk, a keverőfejet pedig lefelé húzzuk (hagyva, hogy beledolgozza magát a keverékbe). A magas viszkozitású anyagokat alaposan el kell keverni, ezért nagy fordulatszám (2. sebességváltó) ajánlott.
- Az optimális eredmény érdekében keverés közben fel-le mozgassa a szerszámgépet.
- Javasoljuk, hogy a keverőt használat után tisztítsa meg, például úgy, hogy a keverőt egy vízzel teli vödörben működteti.

## 5. KARBANTARTÁS



*Karbantartási munkák elvégzése előtt mindig válassza le a gépet a hálózati tápellátásról.*

A gép burkolatát rendszeresen, lehetőleg minden használat után törölje át puha ronggyal. Gondoskodjon arról, hogy a szellőzőnyílásokra ne kerüljön por és piszok.

Makacs szennyeződésekhez használjon szappanos vízzel átitatott ruhát. Oldószert, benzint, alkoholt, ammóniát stb. ne használjon. Ezek a vegyszerek kárt tesznek a szintetikus alkatrészekben.

## KÖRNYEZETVÉDELEM



*A hibás vagy már feleslegessé vált elektromos, elektronikus készülékeket az ezzel foglalkozó begyűjtő helyeken kell leadni.*

### Csak EU országokban

Elektromos szerszámokat ne dobjon a háztartási hulladékba. Az elektromos és elektronikai hulladékokra vonatkozó, 2012/19/EU európai irányelv és annak a nemzeti törvénykezésbe történő átültetése értelmében az elhasználódott elektromos készülé-

ketek külön kell gyűjteni és környezetbarát módon kell leselejtezni.

## JÓTÁLLÁS

A VONROC termékei a legmagasabb minőségi normák szerint készülnek, és az eredeti vásárlás napjától számított, törvényileg előírt időtartamig garantáljuk, hogy anyag- és gyártási hibáktól mentesen fognak működni. Ha a termékben ezen időszak alatt bármilyen hiba jelentkezik anyag- és/ vagy gyártási hiba miatt, kérjük, forduljon közvetlenül az Ön VONROC kapcsolattartójához.

A szavatosság nem érvényes a következő körülmények egyikére sem:

- Nem hivatalos szervizközpontok javítást vagy módosítást végeztek (vagy megkíséreltek javítást vagy módosítást végezni) a gépen;
- Normál elhasználódás és kopás;
- A szerszámot erőszakosan vagy nem rendeltetésszerűen használták, vagy a karbantartása nem volt megfelelő;
- Nem eredeti pótalkatrészeket használtak.

A jelen garancia a vállalat által (akár kifejezetten, akár hallgatólagosan) biztosított kizárólagos garancia. Nem léteznek olyan egyéb garanciák (sem kifejezett, sem hallgatólagos garanciák, beleértve az értékesíthetőségre és az adott célra való alkalmasságra vonatkozó hallgatólagos garanciákat is), amelyek a jelen garancia hatókörén túlmutatnak. A VONROC semmilyen esetben sem felelős semmilyen járulékos vagy következményes kárért. A forgalmazók jogorvoslati teendői az előírásoknak nem megfelelő egységek vagy alkatrészek javítására és cseréjére korlátozódik.

**A termék és a használati útmutató változtatásának jogát fenntartjuk. A műszaki adatok előzetes bejelentés nélkül változhatnak.**

## 1. BEZPEČNOSTNÍ POKYNY

Přečtěte si přiložené bezpečnostní výstrahy, dodatečné bezpečnostní výstrahy a bezpečnostní pokyny. Nebudete-li dodržovat tyto bezpečnostní výstrahy a pokyny, může dojít k úrazu elektrickým proudem, k vzniku požáru nebo k vážného zranění. Uschovejte tyto bezpečnostní výstrahy a pokyny pro budoucí použití.

V této uživatelské příručce a na tomto výrobku jsou použity následující symboly:



*Přečtěte si uživatelskou příručku.*



*Upozorňuje na riziko zranění osob, ztráty života nebo poškození zařízení, nebudou-li dodržovány pokyny uvedené v tomto návodu.*



*Nebezpečí úrazu elektrickým proudem.*



*Elektronická regulace otáček.*



*Používejte ochranné brýle.*



*Používejte ochranu sluchu.*



*Nářadí třídy II – Dvojitá izolace – Nemusí být použit uzemňovací vodič.*



*Tento výrobek je vyroben v souladu s platnými bezpečnostními normami, které jsou uvedeny ve směrnících EU.*

### ZÁKLADNÍ BEZPEČNOSTNÍ VÝSTRAHY PRO ELEKTRICKÉ NÁŘADÍ



**VAROVÁNÍ!** *Přečtěte si všechny bezpečnostní výstrahy a všechny pokyny. Nebudete-li dodržovat tyto bezpečnostní výstrahy a pokyny, může dojít k úrazu elektrickým proudem, k vzniku požáru nebo k způsobení vážného zranění.*

**Uschovejte všechny bezpečnostní výstrahy a pokyny pro budoucí použití.** Termín elektrické nářadí v těchto varováních odkazuje na elektrické nářadí napájené z elektrické sítě (s napájecím kabelem) nebo z akumulátoru (bez napájecího kabelu).

- 1) **Bezpečnost pracovního prostoru**
  - a) **Udržujte pracoviště uklizené a dobře osvětlené.** Neuklizená nebo tmavá místa přivolávají nehody.
  - b) **Nepoužívejte elektrická nářadí ve výbušných prostředích, jako jsou místa s přítomností hořlavých kapalin, plynů nebo prachu.** V elektrickém nářadí dochází k jiskření, které může způsobit vznícení prachu nebo výparů.
  - c) **Při práci s tímto elektrickým nářadím udržujte děti a okolo stojící osoby v bezpečné vzdálenosti.** Rozptylování může způsobit ztrátu kontroly nad nářadím.
- 2) **Elektrická bezpečnost**
  - a) **Zástrčka napájecího kabelu nářadí musí odpovídat zásuvce. Zástrčku nikdy žádným způsobem neupravujte. Nepoužívejte u uzemněného elektrického nářadí žádné adaptéry zástrček.** Neupravené zástrčky a odpovídající zásuvky budou snižovat riziko úrazu elektrickým proudem.
  - b) **Vyvarujte se kontaktu s uzemněnými povrchy, jako jsou potrubí, radiátory, trouby a ledničky.** Dojde-li k uzemnění vašeho těla, hrozí zvýšené riziko způsobení úrazu elektrickým proudem.
  - c) **Nevystavujte elektrické nářadí dešti ani vlhkému prostředí.** Dostane-li se do elektrického nářadí voda, zvýší se riziko úrazu elektrickým proudem.
  - d) **Nezacházejte špatně s napájecím kabelem. Nikdy nepoužívejte napájecí kabel pro přenášení nebo tahání elektrického nářadí a netahejte za tento kabel při odpojování zástrčky od zásuvky. Dbejte na to, aby tento kabel nepřecházel přes horké a mastné povrchy nebo přes ostré hrany, a aby se nedostal do kontaktu s pohyblivými díly.** Poškozené nebo zamotané kabely zvyšují riziko úrazu elektrickým proudem.
  - e) **Používáte-li elektrické nářadí venku, použijte prodlužovací kabel vhodný pro venkovní použití.** Použití prodlužovacího kabelu pro venkovní použití snižuje riziko úrazu elektrickým proudem.
  - f) **Musíte-li používat toto elektrické nářadí ve vlhkém prostředí, používejte v elektrickém obvodu proudový chránič (RCD).** Použití proudového chrániče (RCD) snižuje riziko úrazu elektrickým proudem.

### 3) Bezpečnost osob

- a) **Při práci s tímto elektrickým nářadím buďte stále pozorní, sledujte, co provádíte, a používejte zdravý rozum. Nepoužívejte elektrické nářadí, jste-li unaveni nebo jste-li pod vlivem drog, alkoholu nebo léků.** Nepozornost při práci s elektrickým nářadím může vést k velmi nebezpečným zraněním.
- b) **Používejte osobní ochranné prostředky. Vždy používejte ochranu zraku.** Ochranné prostředky, jako jsou maska proti prachu, neklouzavá pracovní ochranná obuv, pevná přilba nebo chrániče sluchu, které jsou používány v příslušných podmínkách, zmenšují riziko způsobení zranění osob.
- c) **Zabraňte náhodnému spuštění nářadí. Před připojením elektrického nářadí k napájecímu zdroji nebo před vložením akumulátoru do nářadí, před zvednutím nářadí nebo před jeho přenášením se ujistěte, zda je spínač nářadí v poloze vypnuto.** Přenášení elektrického nářadí s prstem na spouštěcím spínači nebo připojení elektrického nářadí k zdroji elektrické energie, je-li spouštěcí spínač v poloze zapnuto, zvyšuje pravděpodobnost vzniku nehod.
- d) **Před zapnutím elektrického nářadí vždy odstraňte všechny klíče a seřizovací přípravky.** Klíče nebo seřizovací přípravky ponechané na rotující části elektrického nářadí mohou způsobit zranění osob.
- e) **Nepřeceňujte své síly. Vždy udržujte správný postoj a rovnováhu.** Tak si zachováte lepší kontrolu nad nářadím v neočekávaných situacích.
- f) **Vhodně se oblékejte. Nenoste volný oděv nebo šperky. Udržujte vlasy, oblečení a rukavice v bezpečné vzdálenosti od všech pohyblivých částí.** Volný oděv, šperky nebo dlouhé vlasy mohou být zachyceny pohyblivými se díly.
- g) **Jsou-li zařízení vybavena adaptérem pro připojení odsávacího systému, ujistěte se, zda je odsávací zařízení správně připojeno a zda správně plní svoji funkci.** Použití odsávání prachu může snížit rizika spojená prací v prašném prostředí.
- h) **Nedovolte, aby jistota získaná častým používáním nářadí vedla ke snížení vaší pozornosti a ignorování zásad bezpečné práce s nářadím.** Chvilková nepozornost může během zlomku sekundy způsobit vážné zranění.

### 4) Použití elektrického nářadí a jeho údržba

- a) **Nepřetěžujte elektrické nářadí. Používejte pro prováděnou práci správné elektrické nářadí.** Správné elektrické nářadí provede práci lépe a bezpečněji, je-li použito pro práce, pro které je určeno.
  - b) **Nepoužívejte elektrické nářadí, nepracuje-li správně jeho spouštěcí spínač.** Nemůžete-li elektrické nářadí ovládat pomocí spouštěcího spínače, takové nářadí je velmi nebezpečné a musí být opraveno.
  - c) **Před prováděním jakéhokoliv seřízení, před výměnou příslušenství nebo před uložením odpojte napájecí kabel nářadí od napájecího zdroje nebo z nářadí vyjměte akumulátor.** Tato preventivní bezpečnostní opatření snižují riziko náhodného spuštění elektrického nářadí.
  - d) **Uložte nepoužívané elektrické nářadí mimo dosah dětí a nedovolte osobám, které nejsou obeznámeny s tímto nářadím nebo s těmito pokyny, aby toto elektrické nářadí používaly.** Elektrické nářadí je v rukách neproškolených osob nebezpečné.
  - e) **Provádějte údržbu elektrického nářadí. Zkontrolujte vychýlení nebo zablokování pohyblivých částí, poškození dílů a stavy nářadí, které by mohly mít vliv na správnou funkci nářadí. Je-li elektrické nářadí poškozeno, před použitím zajistěte jeho opravu.** Mnoho nehod bývá způsobeno nedostatečnou údržbou elektrického nářadí.
  - f) **Udržujte řezné nástroje ostré a čisté.** U správně udržovaných řezných nástrojů s ostrými řeznými břity je menší pravděpodobnost jejich zablokování a lépe se s nimi pracuje.
  - g) **Používejte elektrické nářadí, příslušenství, pracovní nástroje atd. v souladu s těmito pokyny a berte v úvahu pracovní podmínky a práci, která má být provedena.** Použití elektrického nářadí pro operace, pro které není určeno, může vést k nebezpečným situacím.
  - h) **Dbejte na to, aby byly rukojeti a úchopné povrchy suché, čisté a zbavené olejů a maziv.** Kluzké rukojeti a plochy pro úchop neumožňují bezpečnou manipulaci a ovládání nářadí v neočekávaných situacích.
- 5) Použití a údržba akumulátorového nářadí**
- a) **K nabíjení používejte výhradně nabíječku předepsanou výrobcem.** Nabíječka vhodná pro

jeden typ akumulátoru může způsobit požár při vložení jiného, nevhodného typu.

- b) **Používejte elektrické nářadí pouze s předepsanými akumulátory.** Použití jiných typů akumulátoru může způsobit požár nebo zranění.
  - c) **Když akumulátor nepoužíváte, uložte ho mimo dosah kovových předmětů, jako jsou kancelářské sponky, mince, klíče, hřebíky, šroubky nebo jiné malé kovové předměty, které by mohly zkratovat jeho kontakty.** Zkratování kontaktů akumulátoru může způsobit popáleniny nebo požár.
  - d) **Za nevhodných podmínek může z akumulátoru unikat kapalina. Vyvarujte se kontaktu s touto kapalinou. Dojde-li k náhodnému kontaktu s touto kapalinou, zasažené místo omyjte vodou. Dostane-li se kapalina do očí, ihned si je vypláchněte vodou a vyhledejte lékařskou pomoc.** Unikající kapalina z akumulátoru může způsobit podráždění pokožky nebo popáleniny.
  - e) **Nepoužívejte poškozený nebo upravený akumulátor či nářadí.** Poškozené nebo upravené akumulátory se mohou chovat nepředvídatelně, což může způsobit požár, výbuch nebo nebezpečí zranění.
  - f) **Nevystavujte akumulátor a nářadí ohni ani nadměrným teplotám.** Vystavení účinkům ohně nebo teplot nad 130 °C může způsobit výbuch. POZNÁMKA Teplota „130 °C“ odpovídá teplotě „265 °F“.
  - g) **Dodržujte všechny pokyny pro nabíjení a ne-nabíjejte akumulátor ani nářadí mimo teplotní rozsah předepsaný v těchto pokynech.** Nesprávné nabíjení nebo nabíjení při teplotě mimo předepsaný rozsah může poškodit akumulátor a zvýšit nebezpečí vzniku požáru.
- 6) Servis**
- a) **Svěřte opravu svého elektrického nářadí pouze osobě s příslušnou kvalifikací, která bude používat výhradně originální náhradní díly.** Tím zajistíte bezpečný provoz tohoto elektrického nářadí.
  - b) **Nikdy neopravujte poškozené akumulátorové moduly.** Opravy akumulátorů smí provádět výhradně výrobce nebo technik autorizovaného servisu.

#### DOPLŇKOVÉ BEZPEČNOSTNÍ POKYNY

- **Pevně dotáhněte míchací metlu a nezapomeňte odstranit klíč, než nářadí spustíte.**

- **Nepoužívejte elektrické nářadí na výbušné materiály (např. snadno vznětlivá rozpouštědla).** Elektrické nářadí produkuje jiskry, které by mohly zapálit vznikající výpary.
- **V případě, že elektrické nářadí spadne do míchaného materiálu, okamžitě vytáhněte zástrčku ze zásuvky a nechejte si elektrické nářadí zkontrolovat v servisu.** Materiál, který se dostal do elektrického nářadí, mohl způsobit poškození, které by mohlo vést k úrazu elektrickým proudem.
- **Při práci držte nářadí pevně oběma rukama za izolované úchopné plochy a vždy udržujte správný postoj a rovnováhu.** Nářadí se bezpečněji ovládá oběma rukama. Ztráta kontroly může způsobit zranění osob.
- **Při provádění prací, během nichž se může pracovní nástroj dostat do kontaktu se skrytým elektrickým vedením nebo s vlastním napájecím kabelem, držte elektrické nářadí pouze za izolovaná místa určená pro úchop.** Pracovní příslušenství, které se dostane do kontaktu s „živým“ elektrickým vodičem, může způsobit, že nechráněné kovové části nářadí budou také „živé“, což by mohlo vést k úrazu obsluhy elektrickým proudem.
- **Okamžitě vypněte elektrické nářadí, pokud se vložený nástroj zablokuje.** Buďte připraveni na velkou momentovou reakci, která může způsobit zpětný ráz. Vložený nástroj se zablokuje:
  - když je elektrické nářadí vystaveno přetížení nebo
  - když se zaklíní do obrobku.
- **Nemíchejte potraviny.** Elektrické nářadí a jeho příslušenství není určeno ke zpracování potravin.
- **Udržujte napájecí kabel v bezpečné vzdálenosti od pracovního prostoru.** Napájecí kabel by mohl být zachycen metlou míchadla.
- **Použitá nádoba musí být vhodná na míchání a musí bezpečně stát.** Nádoba, která není řádně zajištěna, se může nekontrolovaně pohybovat.
- **Dohlédněte na to, aby na plášť elektrického nářadí nestříkala žádná tekutina.** Tekutina, která se dostala do elektrického nářadí, mohla způsobit jeho poškození, které by mohlo vést k úrazu elektrickým proudem.
- **Dodržujte pokyny a varování uvedené v materiálových bezpečnostních listech (MSDS) materiálu, který se má míchat.** Materiál, který se má míchat, může být škodlivý.



- **V případě přerušení napájení uvolněte odjišťovací tlačítko stisknutím vypínače.** Tím zabráníte nechtěnému opětovnému spuštění elektrického nářadí (nebezpečí zranění).
- **Nepoužívejte elektrické nářadí ve stojanu.**

### Elektrická bezpečnost



Vždy zkontrolujte, zda se napájecí napětí sítě shoduje s napájecím napětím na výkonovém štítku.

- Nepoužívejte tento výrobek, je-li poškozen jeho napájecí kabel nebo zástrčka.
- Používejte pouze prodlužovací kabely, které jsou vhodné pro příkon tohoto zařízení a které mají minimální průřez 1,5 mm<sup>2</sup>. Budete-li používat prodlužovací kabel na cívce, vždy odmotejte celý kabel.

## 2. INFORMACE O ZAŘÍZENÍ

### Zamýšlené použití

Nářadí je určeno pro míchání práškových stavebních materiálů jako je malta, omítka, lepidla, ale také bezrozpuštědlových barev, laků a podobných látek. Nesprávné použití může nářadí poškodit.

### TECHNICKÉ ÚDAJE

Model č.	PM502AC
Napětí	230 - 240 V
Frekvence	50 Hz
Příkon	1800 W
Otáčky naprázdno	Stupeň 1 180–400/min Stupeň 2 300–700/min
Uchycení metly	M14
Metla	Ø 140 mm
Hmotnost	4,45 kg
Úroveň akustického tlaku L <sub>PA</sub>	87,6 + 3 dB(A)
Úroveň akustického výkonu L <sub>WA</sub>	98,6 + 3 dB(A)
Vibrace	5,187 +1,5 m/s <sup>2</sup>

### Úroveň vibrací

Deklarovaná úroveň vibrací uvedená v tomto návodu byla měřena v souladu se standardní zkušební metodou předepsanou normou EN60745. Může se používat pro srovnání jednotlivých nářadí mezi sebou

a také při předběžném posouzení vibrací působících při používání nářadí pro uvedené aplikace.

- Použití tohoto nářadí pro jiné aplikace nebo s odlišným nebo špatně udržovaným příslušenstvím může značně zvýšit působení vibrací.
- Doba, kdy je nářadí vypnuto nebo kdy je v chodu, ale aktuálně nevykonává žádnou práci, může působení vibrací značně zmírnit.

Chraňte se před působením vibrací prováděním řádné údržby tohoto nářadí i jeho příslušenství, udržujte ruce v teple a provádějte práci správným způsobem.

### POPIS

Čísla v následujícím textu odkazují na obrázky na straně 2.

1. Vypínač
2. Odjišťovací tlačítko
3. Regulátor otáček
4. Přepínač pro volbu převodu
5. Držák nástroje
6. Rukojeť
7. Větrací otvory
8. Hřídel metly
9. Pádlo metly

## 3. SESTAVENÍ

### Sestavení dvoudílné metly (Obr. A)

1. Našroubujte hřídel metly (8) na pádlo metly (9)
2. Důkladně oba díly utáhněte

### Výměna metly (Obr. A)



Před sestavením nářadí vždy vypněte a odpojte zástrčku napájecího kabelu od síťové zásuvky.

Používejte pouze metly se specifikovaným průměrem. Vždy používejte metlu vhodnou pro míchaný materiál. Při použití nevhodné metly může docházet ke zbytečnému přetěžování nářadí i vás.

### Montáž metly

1. Zašroubujte sestavenou metlu do držáku nástroje (5) po směru hodinových ručiček až na doraz.
2. Pomocí dodaných klíčů utáhněte metlu v držáku nástroje. Postupujte tak, že pomocí jednoho z dodaných klíčů přidržíte držák nástroje (5) a druhým klíčem utáhněte sestavenou metlu.

### Demontáž metly

1. Povolte sestavenou metlu dodanými klíči. Postupujte tak, že pomocí jednoho z dodaných klíčů přidržíte držák nástroje (5) a druhým klíčem povolíte sestavenou metlu.
2. Vyšroubujte metlu z držáku nástroje (5) proti směru hodinových ručiček.

## 4. POUŽITÍ

### Zapnutí a vypnutí (obr. A)

Vypínač (1) slouží k zapnutí náradí a pro nastavení otáček.

- Chcete-li spustit toto náradí, podržte stisknuté odjišťovací tlačítko (2) a stiskněte vypínač (1).
- Chcete-li náradí vypnout, uvolněte vypínač (1).

### Volba převodu (Obr. B)

Pomocí přepínače pro volbu převodu (4) můžete vybrat jeden ze dvou mechanických převodových stupňů:

Stupeň 1	180–400/min
Stupeň 2	300–700/min

Vhodný převodový stupeň je závislý na druhu míchaného materiálu a doporučuje se ověřit jej praktickou zkouškou.

### Nastavení otáček (Obr. B)

Požadované otáčky můžete nastavit pomocí regulátoru otáček (3).

Otáčky mohou být nastaveny, i když je zařízení v provozu.

- Chcete-li otáčky zvýšit, otáčejte knoflíkem regulátoru otáček (3) po směru hodinových ručiček.
- Chcete-li otáčky snížit, otáčejte knoflíkem regulátoru otáček (3) proti směru hodinových ručiček.

Požadované otáčky závisí na zpracovávaném materiálu a mohou být určeny praktickou zkouškou.

### Optimální použití

- Pro materiály s nízkou viskozitou, např. emulzní barvy, laky, lepidlo, spárovací hmoty a cementovou kaši, se pro optimální výsledky doporučuje používat míchací metla s tzv. levotočivou spirálou. Při použití levotočivé spirály se materiál posouvá shora dolů a míchací metla je vytlačována nahoru. Materiály s nízkou viskozitou se mísí způsobem,

který minimalizuje rozstříkávání, proto se doporučuje používat nízké otáčky (převodový stupeň 1).

- Pro materiály s vysokou viskozitou, jako je omítka, beton, cementu, potěr, tmel a epoxidová pryskyřice, se pro optimální výsledky doporučuje používat míchací metlu s pravotočivou spirálou. Při použití pravotočivé spirály se materiál pohybuje zdola nahoru a míchací metla je stahována dolů (zapracovává se do směsi). Materiály s vysokou viskozitou je nezbytné důkladně promíchat, proto se doporučují vysoké otáčky (převodový stupeň 2).
- Pro dosažení optimálních výsledků pohybujte elektrickým náradím při míchání nahoru a dolů.
- Doporučuje se metlu po použití vyčistit, například jejím otáčením v kbelíku naplněném vodou.

## 5. ÚDRŽBA



*Před prováděním jakéhokoli úkonu údržby toto náradí vždy odpojte od napájecího zdroje.*

Pravidelně čistěte kryt zařízení jemným hadříkem, ideálně po každém použití. Ujistěte se, zda nejsou větrací otvory zaneseny prachem nebo jinými nečistotami.

Odolnější nečistoty odstraňte pomocí jemného hadříku navlhčeného v mýdlové pěně. Nepoužívejte žádná rozpouštědla, jako je benzín, líh, čpavek atd. Takové chemické látky mohou způsobit poškození dílů z umělé hmoty.

## OCHRANA ŽIVOTNÍHO PROSTŘEDÍ



*Poškozená a likvidovaná elektrická nebo elektronická zařízení musí být odevzdána ve sběrných dvorech, které jsou určeny pro tento účel.*

### Pouze pro země EU

Nevyhazujte elektrická náradí do běžného domácího odpadu. Podle evropské směrnice 2012/19/EC týkající se likvidace elektrických a elektronických zařízení a její implementace do vnitrostátního práva, musí být nepoužívaná elektrická náradí shromažďována odděleně a jejich likvidace musí být provedena tak, aby nedošlo k ohrožení životního prostředí.

## ZÁRUKA

Výrobky VONROC jsou vyvíjeny v souladu s požadavky norem na nejvyšší kvalitu a je zaručeno, že po dobu platné záruky, která začíná běžet dnem původního nákupu, nebudou na těchto výrobcích žádné vady materiálu, ani vady způsobené špatným dílenským zpracováním. Dojde-li během tohoto období k závadě v důsledku vady materiálu nebo dílenského zpracování, kontaktujte přímo firmu VONROC.

Z této záruky jsou vyloučeny následující případy:

- Opravy nebo úpravy tohoto zařízení byly provedeny nebo byly provedeny pokusy o jejich provedení v neautorizovaných servisech;
- Běžné opotřebení;
- Toto zařízení bylo nesprávně použito, nevhodně použito nebo nebyla prováděna jeho správná údržba;
- Byly použity neoriginální náhradní díly.

Výše uvedené představuje jedinou záruku poskytovanou společností, ať už výslovnou nebo předpokládanou. Neexistují žádné další záruky, výslovné ani nebo předpokládané, které přesahují rámec zde uvedeného, včetně předpokládaných záruk prodejností a vhodnosti pro určitý účel. VONROC v žádném případě neodpovídá za jakékoliv náhodné nebo následné škody. Opravné prostředky prodejců se omezují výhradně na opravu nebo výměnu nevyhovujících jednotek nebo dílů.

**Na tomto výrobku a v tomto návodu mohou být prováděny změny. Technické údaje mohou být změněny bez předchozího upozornění.**









## DECLARATION OF CONFORMITY PM502AC - PAINT/CEMENT MIXER

- (EN) We declare under our sole responsibility that this product is in conformity with directive 2011/65/EU of the European parliament and of the council of 8 June on the restriction of the use of certain hazardous substances in electrical and electronic equipment is in conformity and accordance with the following standards and regulations:
- (DE) Der Hersteller erklärt eigenverantwortlich, dass dieses Produkt der Direktive 2011/65/ EU des Europäischen Parlaments und des Rats vom 8. Juni 2011 über die Einschränkung der Anwendung von bestimmten gefährlichen Stoffen in elektrischen und elektronischen Geräten entspricht. den folgenden Standards und Vorschriften entspricht:
- (NL) Wij verklaren onder onze volledige verantwoordelijkheid dat dit product voldoet aan de conform Richtlijn 2011/65/EU van het Europees Parlement en de Raad van 8 juni 2011 betreffende beperking van het gebruik van bepaalde gevaarlijke stoffen in elektrische en elektronische apparatuur en in overeenstemming is met de volgende standaarden en reguleringen:
- (FR) Nous déclarons sous notre seule responsabilité que ce produit est conforme aux standards et directives suivants: est conforme à la Directive 2011/65/EU du Parlement Européen et du Conseil du 8 juin 2011 concernant la limitation d'usage de certaines substances dangereuses dans l'équipement électrique et électronique.
- (ES) Declaramos bajo nuestra exclusiva responsabilidad que este producto cumple con las siguientes normas y estándares de funcionamiento: se encuentra conforme con la Directiva 2011/65/UE del Parlamento Europeo y del Consejo de 8 de junio de 2011 sobre la restricción del uso de determinadas sustancias peligrosas en los equipos eléctricos y electrónicos.
- (IT) Dichiariamo, sotto la nostra responsabilità, che questo prodotto è conforme alle normative e ai regolamenti seguenti: è conforme alla Direttiva 2011/65/UE del Parlamento Europeo e del Consiglio dell'8 giugno 2011 sulla limitazione dell'uso di determinate sostanze pericolose nelle apparecchiature elettriche ed elettroniche.
- (SV) Vi försäkrar under vårt eget ansvar att denna produkt överensstämmer med Europaparlamentets och rådets direktiv 2011/65/EU av den 8 juni om begränsning av användningen av vissa farliga ämnen i elektrisk och elektronisk utrustning och är i överensstämmelse och enlighet med följande standarder och föreskrifter:
- (DA) Vi erklærer under eget ansvar, at dette produkt er i overensstemmelse med Europa-Parlamentets og Rådets direktiv 2011/65/EU af 8. juni om begrænsning af brugen af visse farlige stoffer i elektrisk og elektronisk udstyr og overholder og er i overensstemmelse med følgende standarder og regler:
- (PL) Deklarujemy na własną odpowiedzialność, że ten produkt spełnia wymogi zawarte w następujących normach i przepisach: jest zgodny z Dyrektywą 2011/65/UE Parlamentu Europejskiego i Rady z dnia 8 czerwca 2011 r. w sprawie ograniczenia stosowania niektórych niebezpiecznych substancji w sprzęcie elektrycznym i elektronicznym.
- (RO) Declarăm sub responsabilitatea exclusivă că acest produs este în conformitate cu Directiva 2011/65/EU a Parlamentului și a Consiliului European din 8 iunie privind restricționarea utilizării anumitor substanțe periculoase în echipamentele electrice și electronice și în conformitate cu următoarele standarde și reglementări:
- (PT) Declaramos, sob nossa exclusiva responsabilidade, que este produto está em conformidade com a directiva 2011/65/UE do Parlamento Europeu e com a do conselho de 8 de Junho sobre a restrição da utilização de determinadas substâncias perigosas em equipamento eléctrico e electrónico está em conformidade e de acordo com as seguintes normas e regulamentações:
- (HU) Kizárólagos felelősségünk tudatában kijelentjük, hogy ez a termék megfelel az Európai Parlamentnek és a Tanácsnak az egyes veszélyes anyagok elektromos és elektronikus berendezésekben való alkalmazásának korlátozásáról szóló 2011/65/EU irányelvének (2011. június 8.), valamint a következő szabványoknak és jogszabályoknak:
- (CS) Prohlašujeme na svou výhradní odpovědnost, že tento výrobek splňuje požadavky směrnice 2011/65/EU Evropské rady a parlamentu ze dne 8. června, která se týká omezení používání určitých nebezpečných látek v elektrických a elektronických zařízeních, a splňuje také všechny požadavky následujících norem a předpisů:

**EN 55014-1, EN 55014-2, EN 60745-1, EN ISO 12100, EN 61000-3-2, EN 61000-3-3  
2006/42/EC, 2014/30/EU, 2012/19/EU, 2011/65/EU**

Zwolle, 01-03-2022

H.G.F Rosberg  
CEO

**VONROC • Lingenstraat 6 • 8028 PM Zwolle • The Netherlands**



**VONROC®**  
BUILD YOUR FUTURE

©2022 VONROC  
[WWW.VONROC.COM](http://WWW.VONROC.COM)

2203-14